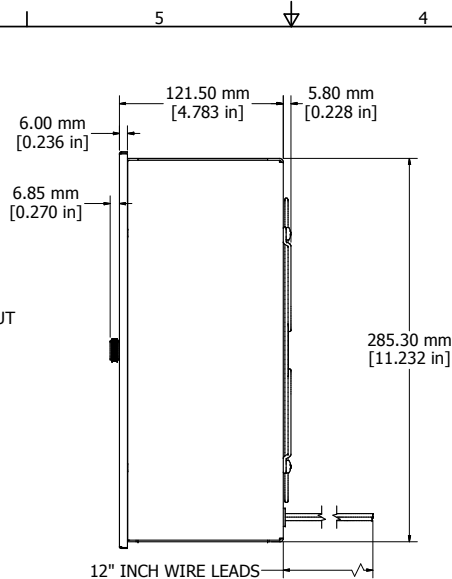
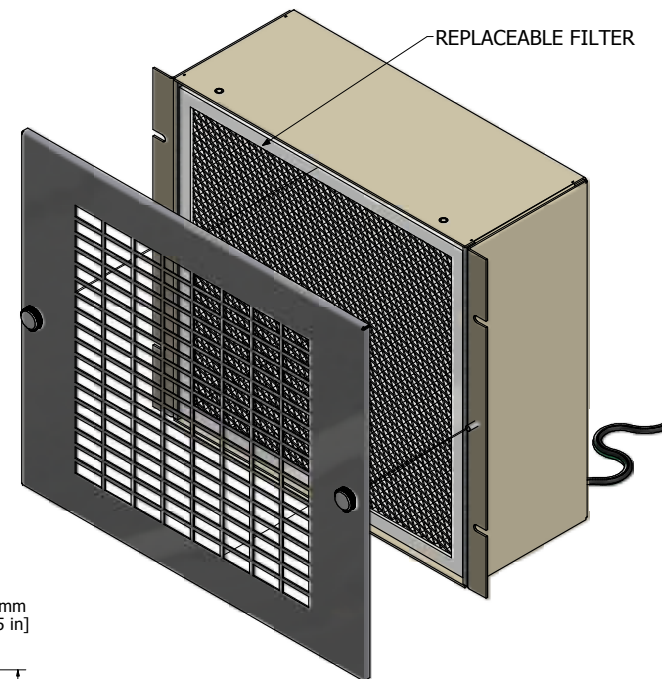


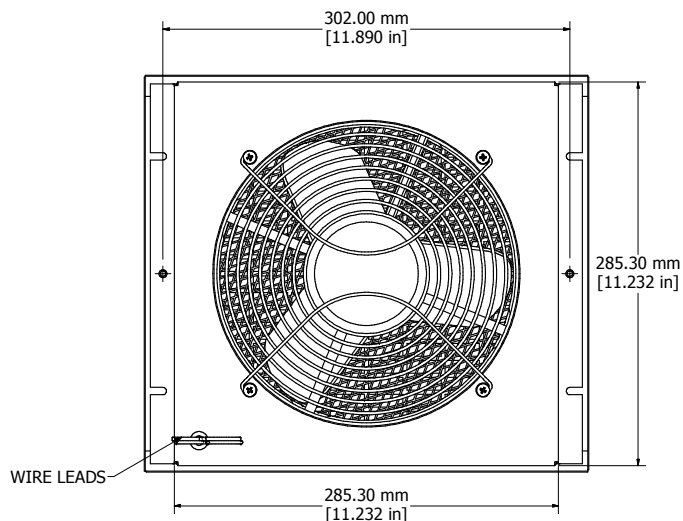
ASSEMBLY - VIEW FROM FRONT



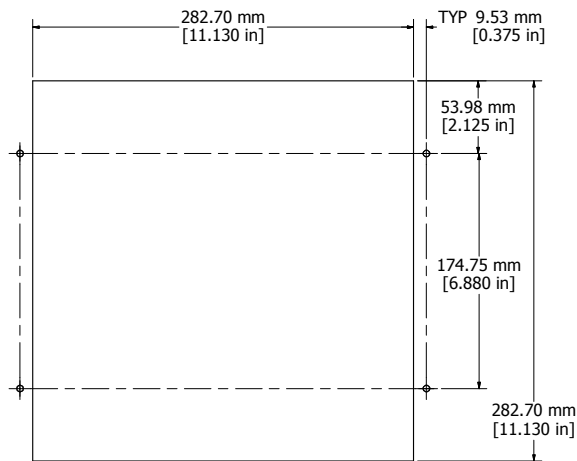
ASSEMBLY - VIEW FROM SIDE



EXPLODED ASSEMBLY VIEW



ASSEMBLY - VIEW FROM BACK



FAN BOX CUTOUT

XF10115 & XF10230
Finish - Front Screen - Polished Stainless Steel
- Case - Painted Grey Steel
Rated - 115 VAC, 50/60 Hz, 0.29 Amps
- 230 VAC, 50/60 Hz, 0.14 Amps
Free Flow Air Delivery - 550 CFM
ACCESSORIES
Replacement Filter - XFF10 (Package of 3)

