

MATERIALS AND FINISHES

BODY
BRASS
PLATED NICKEL

CENTER CONTACT
BERYLLIUM COPPER
PLATED GOLD

INSULATOR
TEFLON

HOUSING
ZINC ALLOY,
PLATED TIN

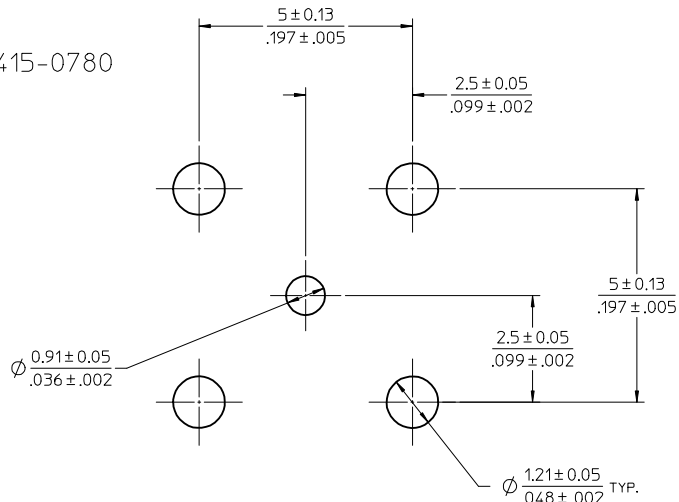
SPECIFICATION
PS-73598-0240

PACKAGING
TRAY

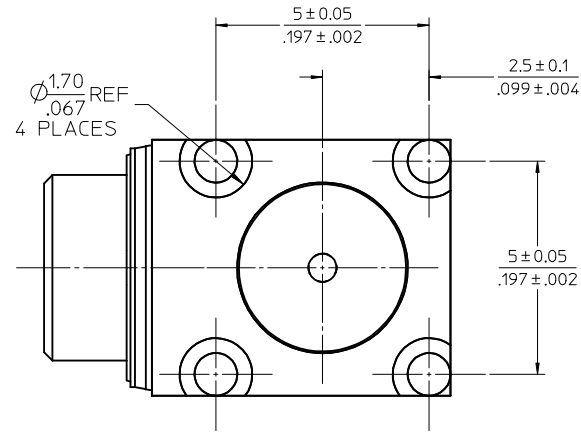
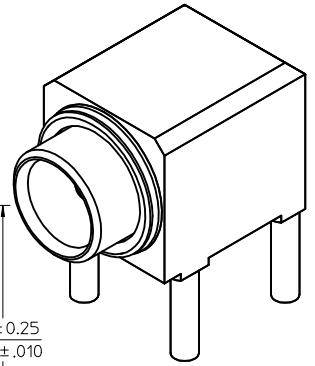
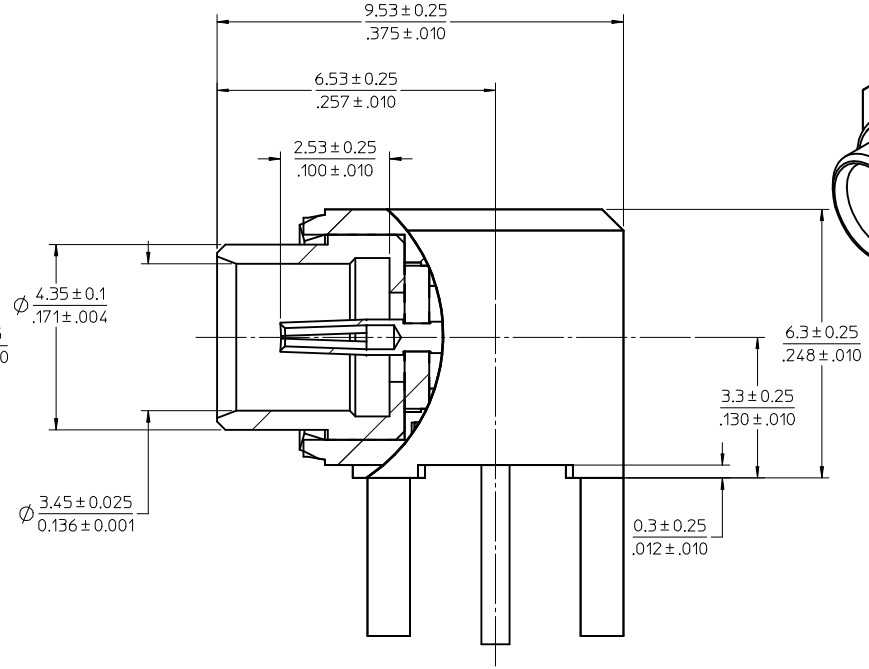
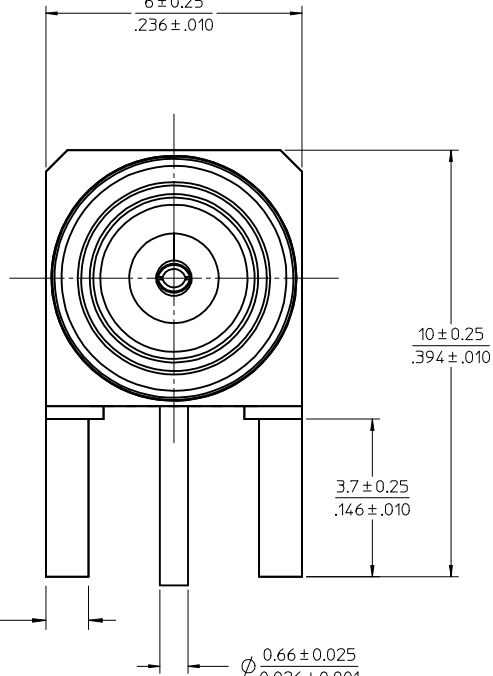
$\varnothing \frac{1.00}{.039}$ REF
4 PLACES

$\varnothing \frac{0.66 \pm 0.025}{0.026 \pm 0.001}$

PART # 73415-0780



RECOMMENDED MOUNTING PATTERN



CHG: INSULATOR MATERIAL WAS TEFLON AND ULTEM ADD $\varnothing 1.00$ 4 PLACES EC NO: URF2009-0264 DRWN: JWIENER 2008/11/18 CHKD: SSHAH 2008/11/18 APPR: JWIENER 2008/11/18 B2	QUALITY SYMBOLS ▽=0 ▽=0	GENERAL TOLERANCES (UNLESS SPECIFIED) <table border="1"> <thead> <tr> <th></th> <th>mm</th> <th>INCH</th> </tr> </thead> <tbody> <tr> <td>4 PLACES</td> <td>± .005</td> <td>± .0002</td> </tr> <tr> <td>3 PLACES</td> <td>± 0.01</td> <td>± .0004</td> </tr> <tr> <td>2 PLACES</td> <td>± 0.13</td> <td>± .005</td> </tr> <tr> <td>1 PLACE</td> <td>± 0.25</td> <td>± .010</td> </tr> </tbody> </table> ANGULAR ± 2°		mm	INCH	4 PLACES	± .005	± .0002	3 PLACES	± 0.01	± .0004	2 PLACES	± 0.13	± .005	1 PLACE	± 0.25	± .010	DIMENSION STYLE MM/IN	SCALE 12:1	DESIGN UNITS METRIC	THIRD ANGLE PROJECTION
		mm	INCH																		
	4 PLACES	± .005	± .0002																		
	3 PLACES	± 0.01	± .0004																		
2 PLACES	± 0.13	± .005																			
1 PLACE	± 0.25	± .010																			
DRAWN BY GMH	DATE 1998/10/13	TITLE MCX JACK 75 OHM R/A PCB TYPE MCX-J/RA/PCB																			
CHECKED BY EDC	DATE 1998/10/13																				
APPROVED BY GMH	DATE 1998/10/13																				
DRAFT WHERE APPLICABLE MUST REMAIN WITHIN DIMENSIONS		MATERIAL NO. 734150780	DOCUMENT NO. SD-73415-078	MOLEX INCORPORATED			SHEET NO. 1 OF 1														
SIZE A2 THIS DRAWING CONTAINS INFORMATION THAT IS PROPRIETARY TO MOLEX INCORPORATED AND SHOULD NOT BE USED WITHOUT WRITTEN PERMISSION																					