

NOTES:

1. MATERIAL AND FINISHES:
 BODY & CONTACT PIN - BRASS, GOLD PLATING
 INSULATOR - LCP, NATURAL

2. ELECTRICAL:
 A. IMPEDANCE: 50 OHM
 B. FREQUENCY RANGE: DC - 6 GHz
 C. RETURN LOSS (VSWR): 20dB (1.22) @ DC - 3 GHz
 17dB (1.33) @ 3 - 6 GHz
 D. CONTACT RESISTANCE: CENTER CONTACT 5 mΩ MAX.
 OUTER CONTACT 5 mΩ MAX.
 E. DIELECTRIC WITHSTANDING VOLTAGE: 1000 VRMS, MIN.
 F. INSERTION LOSS: 0.1dB @ DC-3GHz
 G. INSULATION RESISTANCE: 5000 MΩ MIN.
 H. POWER HANDLING: 40 W @ 2.6 GHz AT 95°C
 120 W @ 2.5 GHz AT 95°C

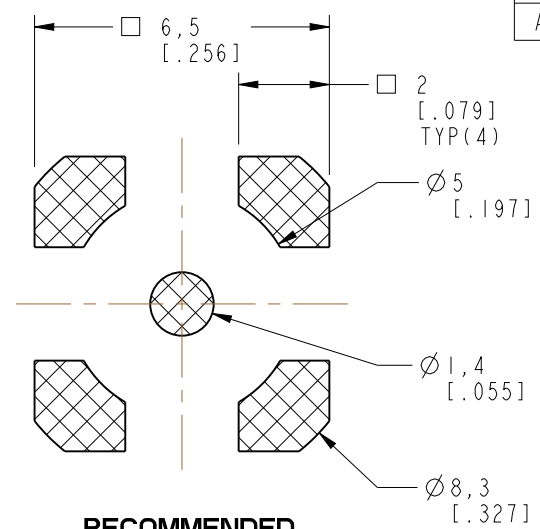
3. MECHANICAL:
 A. MATING CYCLES: 200 MIN.
 B. TEMPERATURE RANGE: -45°C TO +125°C

4. PACKAGING:
 A. PACKAGE IN 50 PIECE TRAYS
 B. MARK TRAY: "AMPHENOL RF,
 920-501J-53P, DATE CODE"

THIRD ANGLE PROJ.

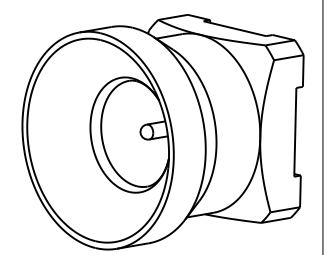
REVISIONS

REV	DESCRIPTION	DATE	ECO	APPR
A	RELEASE TO MFG.	24-May-18	8168	BMG

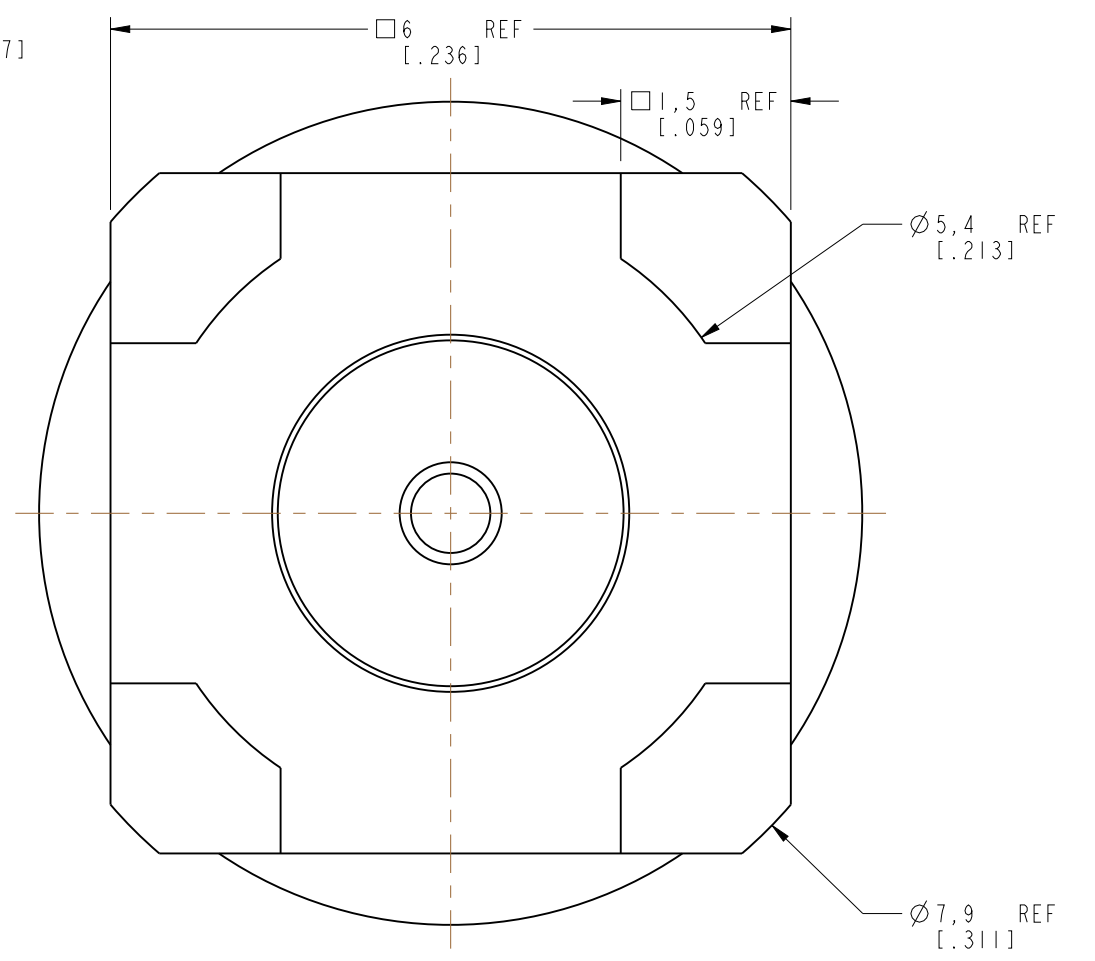
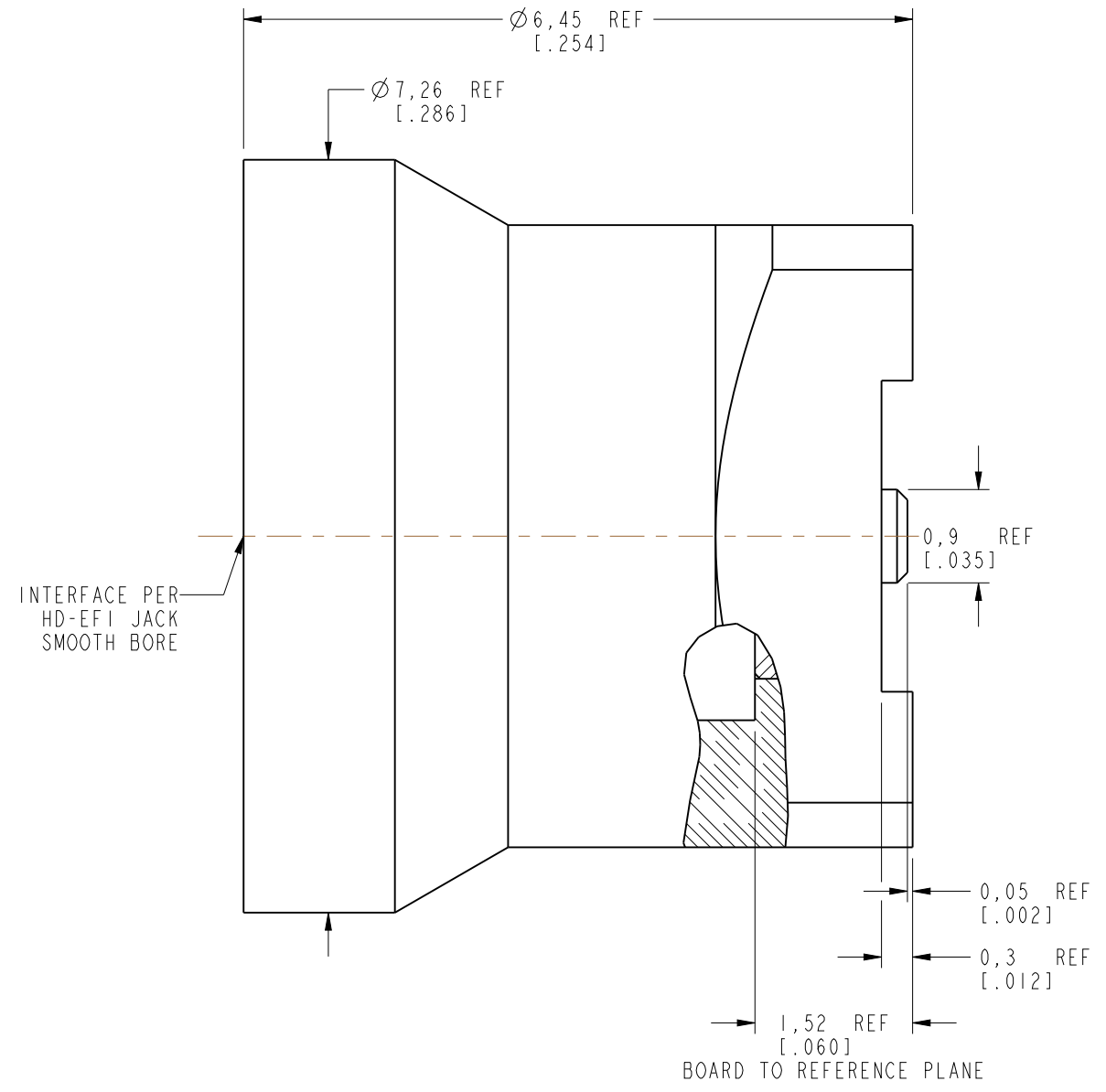


RECOMMENDED PCB LAYOUT

SOLDER FOOTPRINT ONLY
 PERFORMANCE WILL VARY
 BASED ON BOARD LAYOUT



SCALE 4.000



CUSTOMER OUTLINE DRAWING

ALL OTHER SHEETS ARE FOR INTERNAL USE ONLY

UNLESS OTHERWISE SPECIFIED, DIMENSIONS ARE IN METRIC AND TOLERANCES ARE:
 <0.5mm ±0.05mm 0.5 - 6mm ±0.1mm 6 - 30mm ±0.2mm 30 - 120mm ±0.3mm ANGLES ±1°

NOTICE - These drawings, specifications, or other data (1) are, and remain the property of Amphenol corp. (2) must be returned upon request; and (3) are confidential and not to be disclosed to any person other than those to whom they are given by Amphenol Corp. the furnishing of these drawings, specifications, or other data by Amphenol Corp., or to any other person to anyone for any purpose is not to be regarded by implication or otherwise in any manner licensing, granting rights to permitting such holder or any other person to manufacture, use or sell any product, process or design, patented or otherwise, that may in any way be related to or disclosed by said drawings, specifications, or other data.

MATERIAL	SEE NOTES
REFERENCE	EAR# 7563
	REF: 615X-3343-X00
CONFIGURATION LEVEL:	In Work
FINISH	

DRAWN	RAJAGOPAL N	DATE	02-May-17
ENGINEER	B.GREENBAUM	DATE	02-May-17
APPROVED	K.CAPOZZI	DATE	24-May-18
CAD FILE			

TITLE	HD-EFI STR JACK SMOOTH BORE SURFACE MOUNT
SCALE:	15.0:1.0 SHEET 2 OF 2
DWG SIZE	B
REV	A

Amphenol RF	
www.amphenolrf.com	
DRAWING NO.	920-501J-53P
ITEM NO.	920-501J-53P
PART NO.	920-501J-53P