

ACCESSPLUS® II Double-Hinge

ACCESSPLUS® II Double-Hinge, Type 1



Industry Standards

UL 508A; Type 1; File No. E61997
cUL Listed per CSA C22.2 No. 182.4; File No. E230874

EIA 310-D
NEMA/EEMAC Type 1
EIC 60529 IP20
Per BICSI TDMM Tenth edition, Chapter 7,
Telecommunication Enclosures (TE)

Application

ACCESSPLUS® II Cabinets provide security, equipment access, cooling and support for network and other 19-in. rack-mount equipment. The cabinet has three components: front door, center section and wall section.

Features

- Double-hinged for easy equipment access; center section provides 19-in. rack mounting per EIA universal spacing and is accessed through the front door or swing the center section away from the wall section for rear access
- Round corners; no sharp edges
- Front door has either a solid steel or hardened, tinted safety-glass window door for superior scratch resistance
- Center section easily removed from rear section; tool-less one-person installation possible
- Self-grounding, plated steel rack angles fully adjustable within center section
- Wall section provides cable entry and cable management with knockouts or gland plates
- Gland plate model provides easy retrofit and fast installation and allows for pre-terminated cables or pre-wired patch panels; no need to re-terminate and test
- Self-locking center-to-wall section latches in two locations
- Front access to all latches (no exposed side latches); cabinet can be installed tightly in corners
- Vented sides provide cross flow ventilation to improve heat dissipation
- Vertical cable manager included in 28-in.-wide models
- A full line of accessories is available

Specifications

Front Door (window or solid steel)

- Composite frame (injection molded top and bottom with extruded composite sides)
- 140-degree opening door
- Field-reversible (left or right) hinge
- Quarter-turn key lock, two keys included
- Window door is scratch-resistant 1/4-in. tinted safety glass
- Solid door has 16 gauge steel insert with matching black finish

Center Section

- Welded 14 gauge steel
- Solid top of center sections provides protection against falling debris
- Ventilated sides (to which fans can be added)
- Self-latching closure connects center section to wall section
- Self-alignment ramp supports center section to wall section
- Heavy duty center-to-rear section hinge with quick-release self-retained hinge pin eases wall installation

Rack-Mounting Angles

- 12 gauge, plated steel
- EIA universal spaced 19-in. rack-mounting holes
- RU marked from bottom to top
- Tapped 10-32 holes, 20 mounting screws included

Rear Wall Section

- Welded 14 gauge steel
- Radius corners; no sharp edges
- Available with knockouts or gland plates
- Raised pads for accessory mounting
- Cable tie-down points for cable management
- Keyhole mounting holes allow wall section to be mounted over fasteners and eases installation
- Three cable-entry grommets

Finish

Pretreated steel coated with RAL 9005 black light-textured, low-gloss polyester powder paint. Other finishes available—contact Hoffman Customer Service.

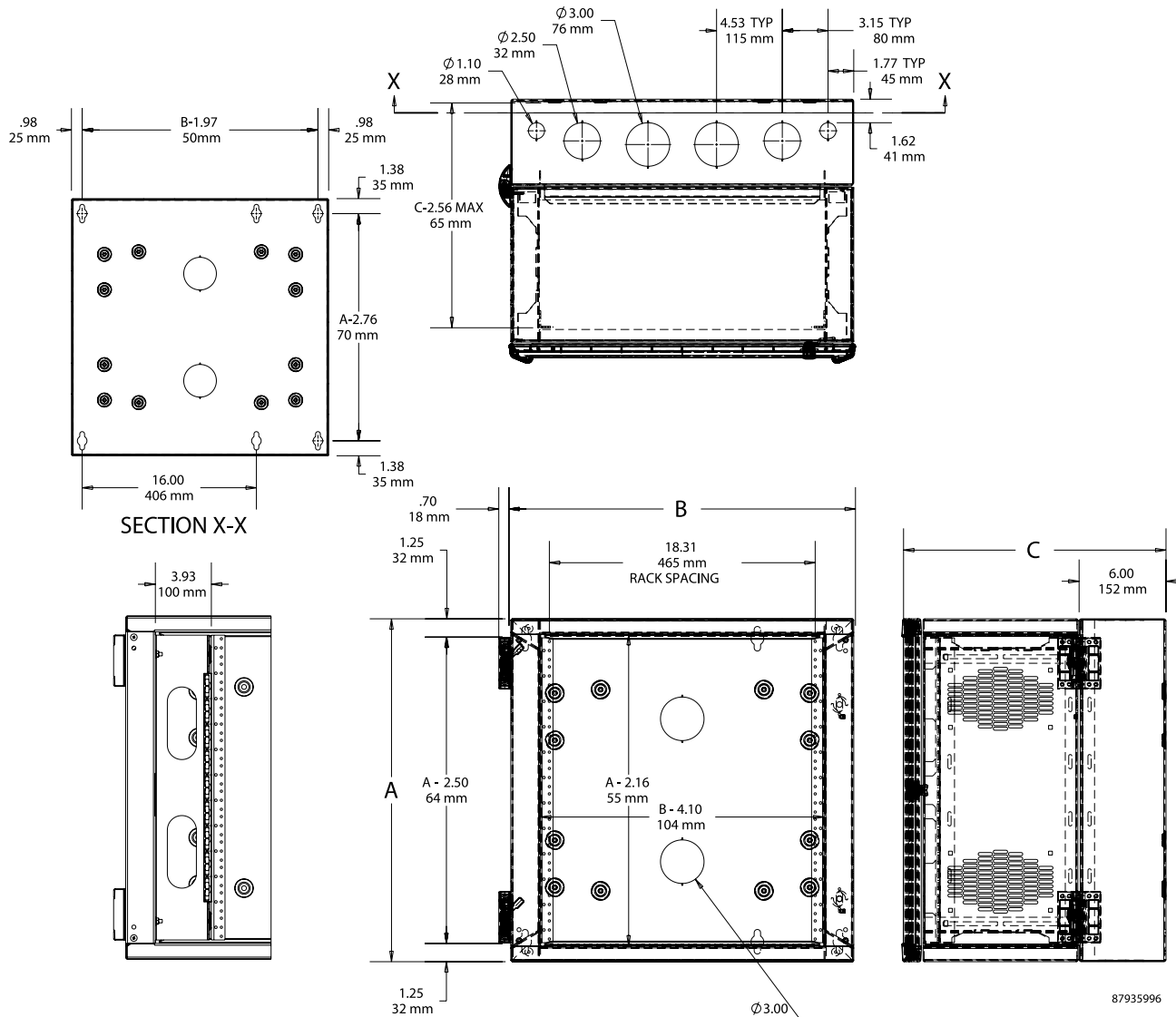
Bulletin: DWDH1

ACCESSPLUS® II Double-Hinge

Standard Product Window Door

| Catalog Number | AxBxC in. | AxBxC mm | Rack Units | Additional Rack Angles (S=Square Hole) (T=Tapped Hole) |
|----------------|-----------------------|------------------|------------|--------------------------------------------------------|
| EWMW242418 | 23.60 x 23.62 x 18.20 | 600 x 600 x 462 | 12 | EWMR24T or EWMR24S |
| EWMW362418 | 36.02 x 23.62 x 18.20 | 915 x 600 x 462 | 19 | EWMR36T or EWMR36S |
| EWMW482418 | 48.03 x 23.62 x 18.20 | 1220 x 600 x 462 | 26 | EWMR48T or EWMR48S |
| EWMW602418 | 60.04 x 23.62 x 18.20 | 1525 x 600 x 462 | 32 | EWMR60T or EWMR60S |
| EWMW722418 | 72.05 x 23.62 x 18.20 | 1830 x 600 x 462 | 39 | EWMR72T or EWMR72S |
| EWMW242425 | 23.62 x 23.62 x 25.09 | 600 x 600 x 637 | 12 | EWMR24T or EWMR24S |
| EWMW362425 | 36.02 x 23.62 x 25.09 | 915 x 600 x 637 | 19 | EWMR36T or EWMR36S |
| EWMW482425 | 48.03 x 23.62 x 25.09 | 1220 x 600 x 637 | 26 | EWMR48T or EWMR48S |
| EWMW602425 | 60.04 x 23.62 x 25.09 | 1525 x 600 x 637 | 32 | EWMR60T or EWMR60S |
| EWMW722425 | 72.05 x 23.62 x 25.09 | 1830 x 600 x 637 | 39 | EWMR72T or EWMR72S |
| EWMW242430 | 23.62 x 23.62 x 30.01 | 600 x 600 x 762 | 12 | EWMR24T or EWMR24S |
| EWMW362430 | 36.02 x 23.62 x 30.01 | 915 x 600 x 762 | 19 | EWMR36T or EWMR36S |
| EWMW482430 | 48.03 x 23.62 x 30.01 | 1220 x 600 x 762 | 26 | EWMR48T or EWMR48S |

B dimension does not include wall-to-center section hinge.



87935996

28 IN. WIDE ENCLOSURE WITH
CABLE MANAGER INSTALLED
(SHOWN WITH DOOR REMOVED)

2 KNOCKOUTS WHEN A = 24 in.
3 KNOCKOUTS FOR ALL OTHER ENCLOSURES
(SHOWN WITH DOOR REMOVED)

ACCESSPLUS® II Double-Hinge

Standard Product **Solid Door**

| Catalog Number | AxBxC in. | AxBxC mm | Rack Units | Additional Rack Angles (S=Square Hole) (T=Tapped Hole) |
|----------------|-----------------------|------------------|------------|--------------------------------------------------------|
| EWMS242418 | 23.62 x 23.62 x 18.20 | 600 x 600 x 462 | 12 | EWMR24T or EWMR24S |
| EWMS362418 | 36.02 x 23.62 x 18.20 | 915 x 600 x 462 | 19 | EWMR36T or EWMR36S |
| EWMS482418 | 48.03 x 23.62 x 18.20 | 1220 x 600 x 462 | 26 | EWMR48T or EWMR48S |
| EWMS242425 | 23.62 x 23.62 x 25.09 | 600 x 600 x 637 | 12 | EWMR24T or EWMR24S |
| EWMS362425 | 36.02 x 23.62 x 25.09 | 915 x 600 x 637 | 19 | EWMR36T or EWMR36S |
| EWMS482425 | 48.03 x 23.62 x 25.09 | 1220 x 600 x 637 | 26 | EWMR48T or EWMR48S |

B dimension does not include wall-to-center section hinge.



Standard Product **Window Door with Cable Manager**

| Catalog Number | AxBxC in. | AxBxC mm | Rack Units | Additional Rack Angles (S=Square Hole) (T=Tapped Hole) | Vertical Cable Mgr. Catalog Number ^a |
|----------------|-----------------------|------------------|------------|--------------------------------------------------------|-------------------------------------------------|
| EWMW242825 | 23.62 x 27.56 x 25.09 | 600 x 700 x 637 | 12 | EWMR24T or EWMR24S | EWMC24 |
| EWMW362825 | 36.02 x 27.56 x 25.09 | 915 x 700 x 637 | 19 | EWMR36T or EWMR36S | EWMC36 |
| EWMW482825 | 48.03 x 27.56 x 25.09 | 1220 x 700 x 637 | 26 | EWMR48T or EWMR48S | EWMC48 |

B dimension does not include wall-to-center section hinge.

^a For additional rack angles, also order vertical cable manager.



ACCESSPLUS® II Double-Hinge

Standard Product Window Door with Gland Plate

| Catalog Number | AxBxC in. | AxBxC mm | Rack Units | Additional Rack Angles (S=Square Hole) (T=Tapped Hole) |
|--------------------|-----------------------|------------------|------------|--------------------------------------------------------|
| EWMWG242418 | 23.62 x 23.62 x 18.20 | 600 x 600 x 462 | 12 | EWMR24T or EWMR24S |
| EWMWG362418 | 36.02 x 23.62 x 18.20 | 915 x 600 x 462 | 19 | EWMR36T or EWMR36S |
| EWMWG482418 | 48.03 x 23.62 x 18.20 | 1220 x 600 x 462 | 26 | EWMR48T or EWMR48S |
| EWMWG242425 | 23.62 x 23.62 x 25.09 | 600 x 600 x 637 | 12 | EWMR24T or EWMR24S |
| EWMWG362425 | 36.02 x 23.62 x 25.09 | 915 x 600 x 637 | 19 | EWMR36T or EWMR36S |
| EWMWG482425 | 48.03 x 23.62 x 25.09 | 1220 x 600 x 637 | 26 | EWMR48T or EWMR48S |

B dimension does not include wall-to-center section hinge.



Load Rating

| Height | Load Capacity |
|--------|---------------|
| 24 in. | 250 lbs. |
| 36 in. | 300 lbs. |
| 48 in. | 350 lbs. |
| 60 in. | 400 lbs. |
| 72 in. | 500 lbs. |

ACCESSPLUS® II Double-Hinge

Vertical Cable Managers for 28-in.-Wide Cabinet



Use ACCESSPLUS Cable Managers when ordering additional rack angles for 28-in.-wide cabinet.

Bulletin: DWDH1

| Catalog Number | Description | Fits Cabinet |
|----------------|---------------------------------------------|----------------------|
| EWMC24 | ACCESSPLUS Vertical Cable Manager 24.00 in. | A = 24.00; B = 28.00 |
| EWMC36 | ACCESSPLUS Vertical Cable Manager 36.00 in. | A = 36.00; B = 28.00 |
| EWMC48 | ACCESSPLUS Vertical Cable Manager 48.00 in. | A = 48.00; B = 28.00 |

Vertical Cable Manager Capacity Number of cables at 60 percent filled

| Cross Section (Area) | 5e (0.22 in. dia.) | 6 (0.28 in. dia.) | 6A (0.35 in. dia.) |
|-----------------------|--------------------|-------------------|--------------------|
| 24.5 in. ² | 380 | 300 | 208 |

Rack Angles



Bulletin: DWDH1

| Catalog Number | Description | Rack Units | Fits Cabinet |
|----------------|--------------------|------------|--------------|
| EWMR24T | Fits 24-in. tapped | 12 | A = 24.00 |
| EWMR36T | Fits 36-in. tapped | 19 | A = 36.00 |
| EWMR48T | Fits 48-in. tapped | 26 | A = 48.00 |
| EWMR60T | Fits 60-in. tapped | 32 | A = 60.00 |
| EWMR72T | Fits 72-in. tapped | 39 | A = 72.00 |
| EWMR24S | Fits 24-in. square | 12 | A = 24.00 |
| EWMR36S | Fits 36-in. square | 19 | A = 36.00 |
| EWMR48S | Fits 48-in. square | 26 | A = 48.00 |
| EWMR60S | Fits 60-in. square | 32 | A = 60.00 |
| EWMR72S | Fits 72-in. square | 39 | A = 72.00 |

Fan Kits



Bulletin: DWDH1

| Catalog Number | Description | Fits Cabinet |
|----------------|------------------------------------------------------------------|-----------------------------|
| EWMF1 | 4-in. fan with plug and blocking plates, 115 VAC, 100 CFM small | Fits all C = 18.00 |
| EWMF2 | 4-in. fan with plug and blocking plates, 115 VAC, 100 CFM, large | Fits all C = 25.00 or 30.00 |

ACCESSPLUS® II Double-Hinge

DataCom Wall-Mount Cabinet with Gland Plate Application

This cabinet offers significant advantages in retrofit applications. The gland plate is mounted at the top and the bottom to accommodate cable runs from above, below or both. The gland plate casing can be removed while patch panels and associated wiring are brought to the cabinet.



1. Once the wall section is installed on the wall, lay in the patch panel.



2. Install the cable gland plate onto the wall section.



3. Use wire ties or cable wraps to secure the cable to the cabinet.



4. Install the center section, then mount patch panels on rack angles.
5. Close and lock the door.

