

4

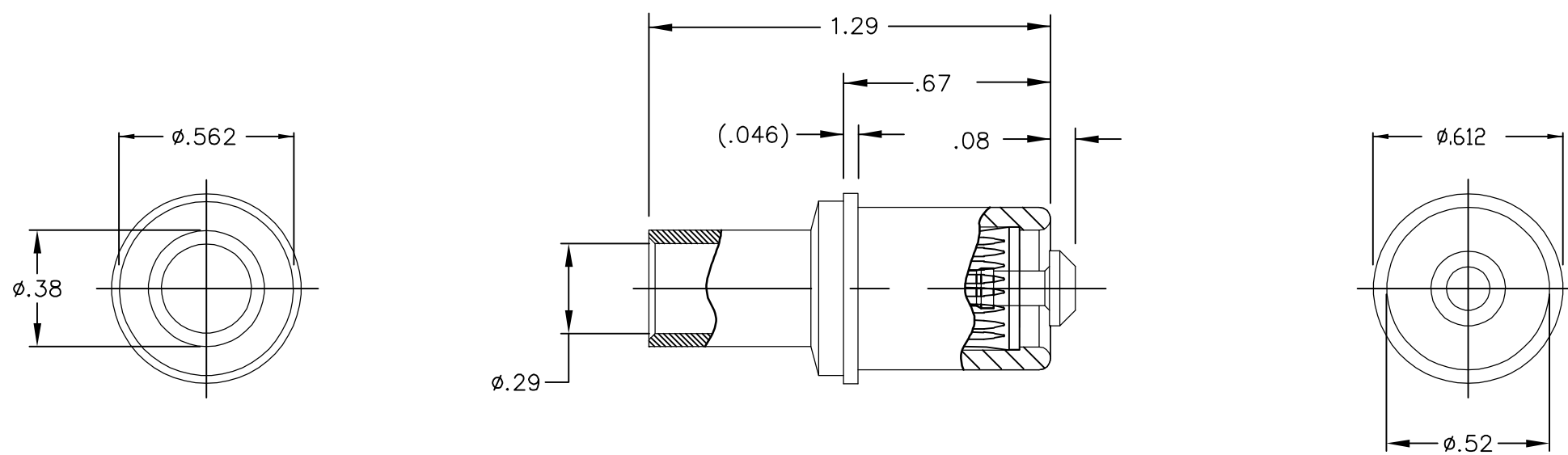
3

2

1

THIS DRAWING IS UNPUBLISHED. RELEASED FOR PUBLICATION
© COPYRIGHT - BY TYCO ELECTRONICS CORPORATION. ALL RIGHTS RESERVED.

LOC	DIST	REVISIONS					
GP	00	P	LTR	DESCRIPTION	DATE	DWN	APVD
			A	RELEASED	18OCT06	RG	SF



1. PART NUMBER CHANGES AND OR DESIGN CHANGES AFFECTING ITEM INTERCHANGEABILITY REQUIRES PRIOR TYCO APPROVAL AND AUTHORIZATION BY REVISION TO THIS DRAWING.

- 2 MATERIAL: COPPER ALLOY
- 3 FINISH: SILVER PLATED 0.0002" MIN. THK. OVER NICKEL .000040" MIN. THK

AS SHOWN	6648427-1
DESCRIPTION	PART NUMBER

THIS DRAWING IS A CONTROLLED DOCUMENT.		DWN R.GRZYBOWSKI 18OCT2006	Tyco Electronics Corporation Harrisburg, PA 17105-3608	
DIMENSIONS: INCHES		CHK S.FLICKINGER 18OCT06		
		APVD S.FLICKINGER 18OCT06	NAME CONTACT, SOCKET BODY SIZE No.0 DOUBLE CROWN WITH No.4 AWG CRIMP BARREL	
TOLERANCES UNLESS OTHERWISE SPECIFIED:		PRODUCT SPEC	RESTRICTED TO	
0 PLC ± - 1 PLC ± - 2 PLC ± .01 3 PLC ± .005 4 PLC ± - ANGLES ± .5		APPLICATION SPEC	SIZE	CAGE CODE
MATERIAL	FINISH	WEIGHT	A3	00779
- 2	- 3	-	DRAWING NO C=6648427	
CUSTOMER DRAWING			SCALE	SHEET
			2:1	1 OF 1
			REV	A