

4

3

2

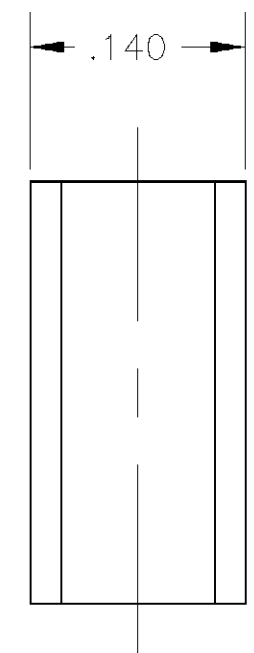
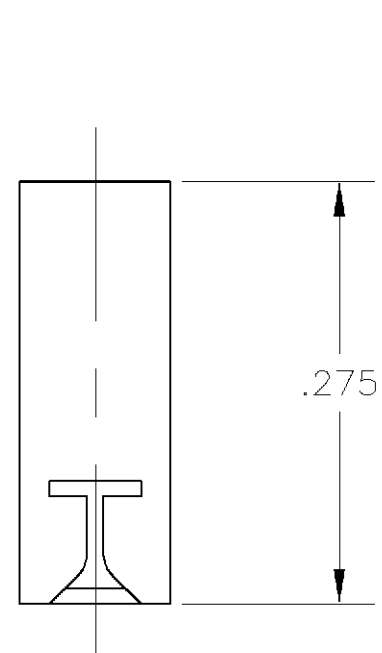
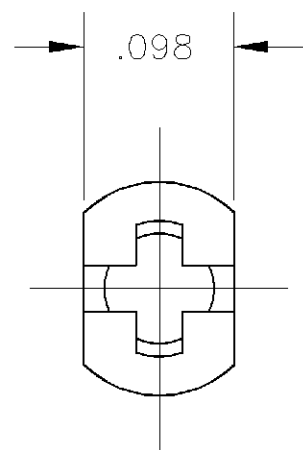
1

THIS DRAWING IS UNPUBLISHED. RELEASED FOR PUBLICATION  
 © COPYRIGHT BY TYCO ELECTRONICS CORPORATION. ALL RIGHTS RESERVED.

LOC	DIST	REVISIONS					
AA	27	P	LTR	DESCRIPTION	DATE	DWN	APVD
		C		REV PER 0G3A-0504-01	24SEP01	JR	EH

1 ALL DIMENSIONS SHOWN ARE FOR REFERENCE ONLY UNLESS OTHERWISE SPECIFIED.

△ 2 PREPRODUCTION - FASR REQ



△ 2 553593-1  
PART NO.

THIS DRAWING IS A CONTROLLED DOCUMENT.		DWN ED HOWARD 01JUN01	<b>AMP</b> Tyco Electronics Corporation City, State, Zip			
DIMENSIONS: INCHES		CHK JEFF RUTH 13/JUN/01				
TOLERANCES UNLESS OTHERWISE SPECIFIED:		APVD TOM SCHWARTZ 13/JUN/01	NAME CAP, STUFFER, AMP BARREL, .070 DIA.			
0 PLC ± - 1 PLC ± - 2 PLC ± - 3 PLC ± - 4 PLC ± - ANGLES ± -		PRODUCT SPEC -	APPLICATION SPEC -			
MATERIAL NYLON(NATURAL)	FINISH -	WEIGHT -	SIZE A3	CAGE CODE 00779	DRAWING NO C-553593	RESTRICTED TO -
CUSTOMER DRAWING			SCALE 8:1	SHEET 1 OF 1	REV C	