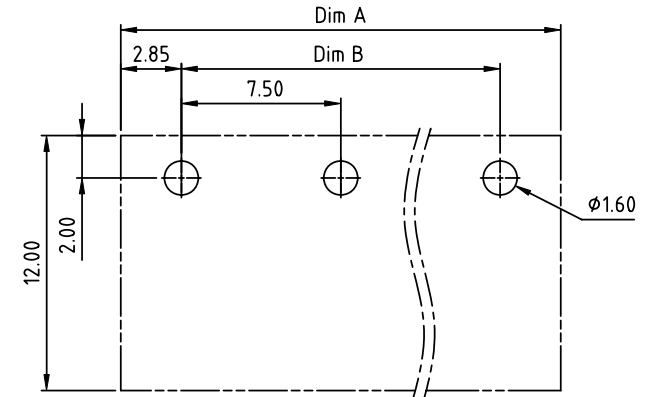
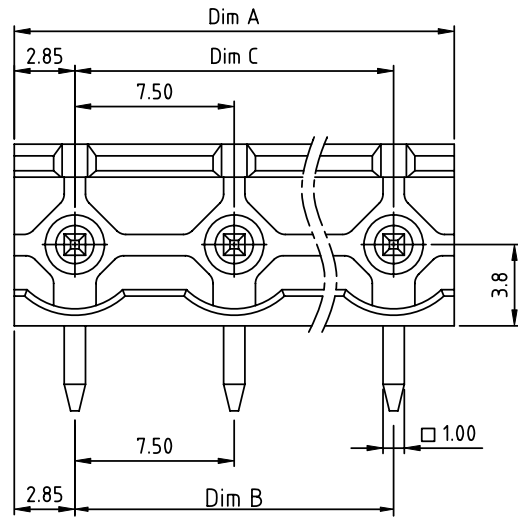
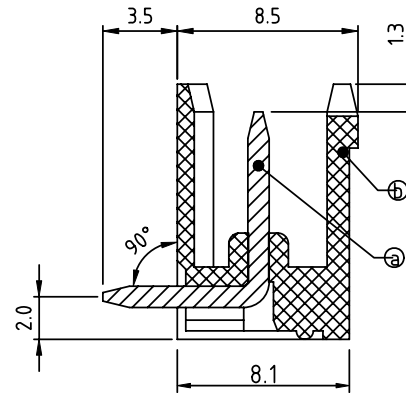
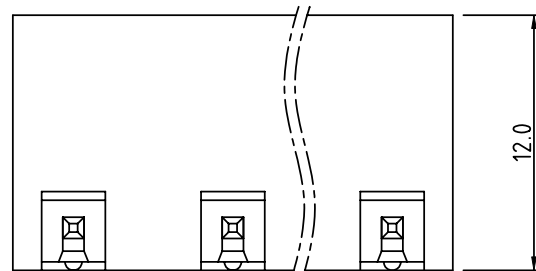


PRODUCT NUMBER	PITCH
OQxxA0x100J0G	7.50 mm



RECOMMENDED P.C.B LAYOUT
TOP VIEW



Material:

- Item ① Male contact pin: Copper Tin plated
- Item ② Terminal housing: Thermoplastic (UL94V-0)

- Electrical:
- | | | |
|--------------------------|-----------------|------|
| | cULus | TUV |
| ● Voltage rating: | 300V | 750V |
| ● Current rating: | 20A | 15A |
| ● Withstanding Voltage: | 1.6 KV | 6KV |
| ● Operating temperature: | -40°C to +115°C | |
| ● Soldering temperature: | 260°C±5°C/5 Sec | |
| ● Safety Approval: | | |

DIMENSION

Dim A	(N-1)X7.5+5.7
Dim B&C	(N-1)X7.5

N= NUMBER OF POLES

Poles	Tolerance
2P-6P	±0.20
7P-12P	±0.30
13P-16P	±0.40

PART NO.: OQ xx A 0 x 1 00J0 G

- | | | |
|--------------|---------------------|---|
| No. of poles | 0 Black (RAL9005) | RoHS compliant (lead<4%)
In copper Alloy |
| 02 2 poles | 2 Red (RAL3001/D) | |
| 03 3 poles | 3 Orange(RAL2011/P) | |
| ... | 4 Yellow(RAL1018/A) | |
| 16 16 poles | 5 Green(RAL6018/T) | |
| | 6 Blue (RAL5015/A) | |
| | 8 Grey(RAL7035/D) | |
| | 9 White(RAL1102) | |
| | C Green(RAL6018/U) | |

mat'l. code		surface ASME Y14.5	tolerance ASME Y14.5	projection	product family
ltr	ecn no	dr	date	 MM	TERMINAL BLOCK
tolerances unless otherwise specified					title
angles		X.±0.5			TERMINAL BLOCK
X*±1*		X.XX±0.3			PLUGGABLE SOCKET,OPEN,RIGHT ANGLE
X.XX±0.1		scale			PLUGGABLE SOCKET,OPEN,RIGHT ANGLE
dr	HANKE FENG	040414		dwg no	sheet 1 of 1 size
enr	HANKE FENG	040414		OQxxA0x100J0G	A4
chr	SHI JUN	040414		type	CUSTOMER Drawing
appd	SHI JUN	040414			
sheet index	revision sheet	A 1			