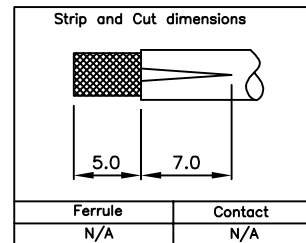
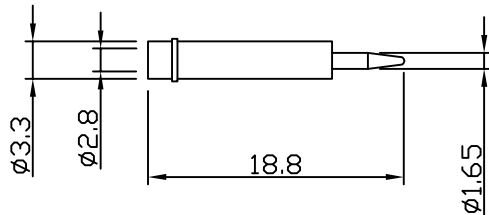
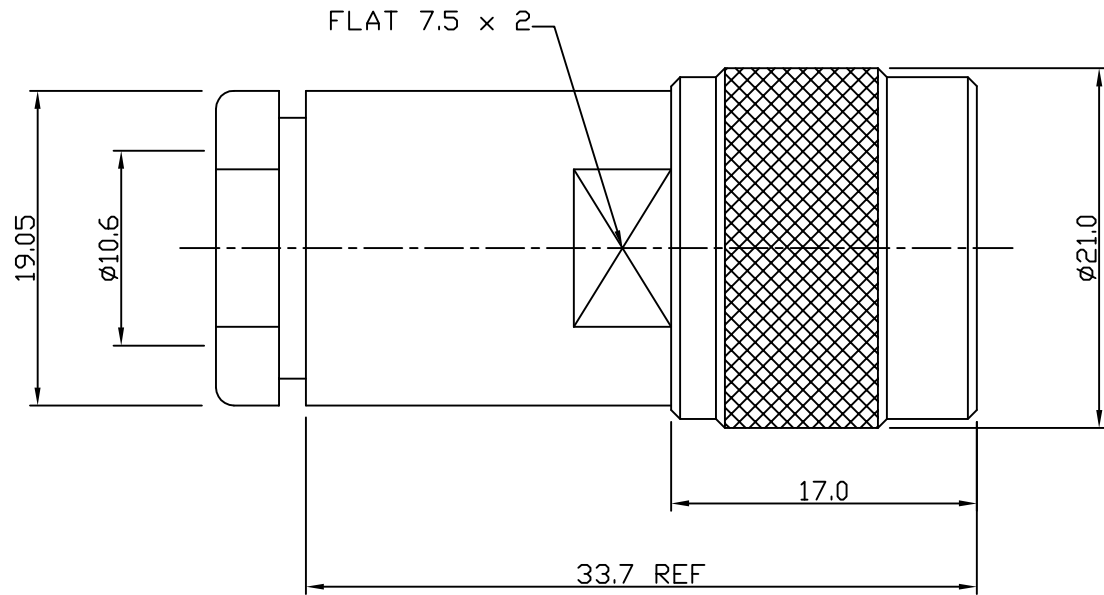


RoHS COMPLIANT



Electrical Characteristics

Nominal Impedance: 50 ohms
 Frequency Range: DC to 11 GHz
 VSWR: 1.35:1 maximum
 Insertion Loss: 0.17 dB max
 Operating Voltage (rms): 1500 V maximum at sea level
 Dielectric Withstand Voltage (rms): 2500 V maximum at sea level
 Contact Resistance: 1.0 milliohms maximum
 Insulation Resistance: 5000 megohms minimum

Mechanical Characteristics

Mating Cycles: 500 cycles minimum
 Interface Dimensions: Conform to MIL-C-39012

Environmental Characteristics

Temperature Range: -55 °C to +85 °C

PART	DESCRIPTION
1	Back Nut Brass, nickel plated
2	Washer Brass, nickel plated
3	Gasket Rubber
4	Clamp Brass, nickel plated
5	Body Brass, nickel plated
6	Insulator Teflon
7	Insulator Teflon
8	Contact Brass, gold plated

Design Change	JC	2	28 June 12
First Issue	RP	1	19 Apr 07
DESCRIPTION OF REVISION	APPVD	ISS	DATE

For stripping and assembly instructions see Drawing Number: VAIN1206



Cinch Connectivity Solutions
 7-13 Russel Way,
 Widford Industrial Estate,
 Chelmsford, Essex,
 CM1 3AA, UK.
 Tel: +44 (0) 1245 359515
 Fax: +44 (0) 1245 358938

SCALE: Not To Scale

DIMENSIONS: mm

TOLERANCES:
 ± 0.2mm unless
 otherwise stated

DRAWN BY: R Presland

CHECKED BY: M Spooner

APPROVED BY: M Spooner

DATE: 19 Apr 07

TITLE:

N Clamp Plug for
 RA519/LMR400

PART NUMBER:

VNS10-2021

PAGE: 1 of 1