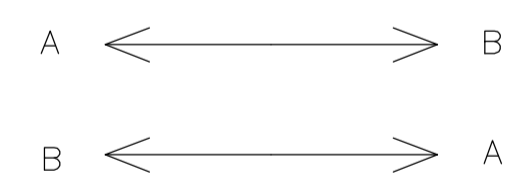
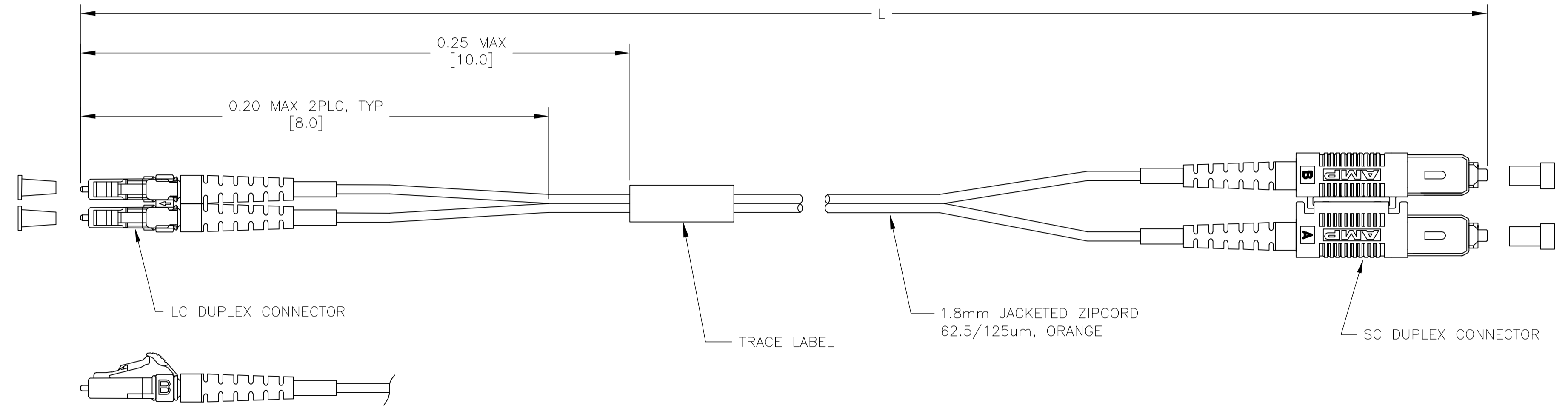


△ MAXIMUM CONNECTOR INSERTION LOSS IS 0.5 dB
 PLUS CABLE ATTENUATION OF 1.5 dB/km
 at 1300nm. (SEE TABLE)



0.53	20.00±0.30 [787.0±12.0]	2-1828871-0
0.50	15±0.15 [590.6±6.0]	1-1828871-5
0.50	10±0.15 [393.7±6.0]	1-1828871-0
0.50	5.00±0.08 [196.9±3.0]	1828871-5
0.50	4.00±0.08 [157.5±3.0]	1828871-4
0.50	3.00±0.05 [122.8±2.0]	1828871-3
0.50	2.00±0.05 [78.7±2.0]	1828871-2
0.50	1.00±0.05 [39.4±2.0]	1828871-1
△ CONNECTOR LOSS (dB)	L	PART NUMBER

THIS DRAWING IS A CONTROLLED DOCUMENT.		DWN KATHY HE 19SEP05	Tyco Electronics Corporation Harrisburg Pa, 17105-3608																						
DIMENSIONS: METERS [INCHES]		CHK RECHARD ZHAO 19SEP05																							
TOLERANCES UNLESS OTHERWISE SPECIFIED:		APVD J. DUNCAN 19SEP05																							
<table border="1"> <tr><td>0 PLC</td><td>±</td><td>-</td></tr> <tr><td>1 PLC</td><td>±</td><td>-</td></tr> <tr><td>2 PLC</td><td>±</td><td>-</td></tr> <tr><td>3 PLC</td><td>±</td><td>-</td></tr> <tr><td>4 PLC</td><td>±</td><td>-</td></tr> <tr><td>ANGLES</td><td>±</td><td>-</td></tr> <tr><td>FINISH</td><td>-</td><td>-</td></tr> </table>		0 PLC	±	-	1 PLC	±	-	2 PLC	±	-	3 PLC	±	-	4 PLC	±	-	ANGLES	±	-	FINISH	-	-	NAME CABLE ASSEMBLY, LC-SECURE/SC,DUPLEX 1.8mm ZIP, 62.5/125um, YELLOW	SIZE A2	CAGE CODE 00779
0 PLC	±	-																							
1 PLC	±	-																							
2 PLC	±	-																							
3 PLC	±	-																							
4 PLC	±	-																							
ANGLES	±	-																							
FINISH	-	-																							
MATERIAL		PRODUCT SPEC	DRAWING NO 1828871	RESTRICTED TO																					
		APPLICATION SPEC	SCALE NTS	SHEET 1 OF 1																					
		WEIGHT	REV A																						
		CUSTOMER DRAWING																							