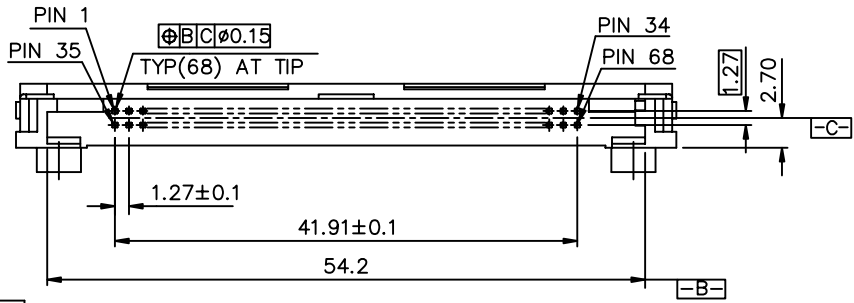
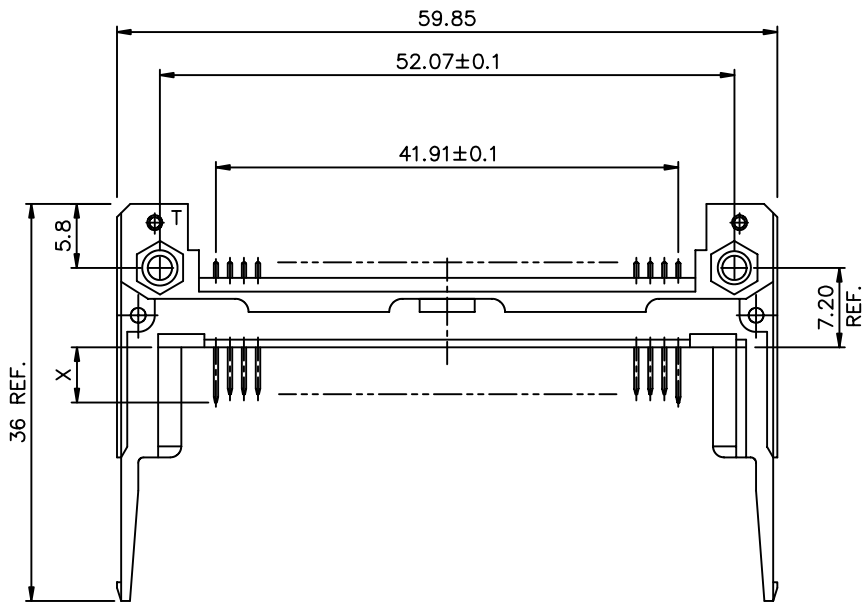
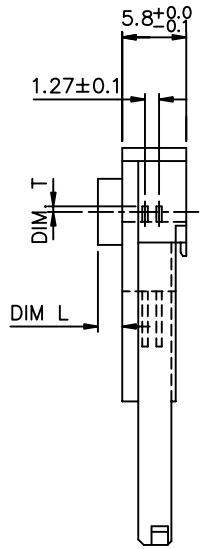


Tous droits strictement réservés. Reproduction ou communication à des tiers sans autorisation écrite du propriétaire. Droits de reproduction BERG ELECTRONICS by

All rights strictly reserved. Reproduction or issue to third parties in any form without written authority from the proprietor. Copyright BERG ELECTRONICS by



- 61128- □ □ □ □ LF
- LEAD FREE
- B: FOR BOSCH-TELECOM
  - N: FOR CANON
  - V: FOR VALLEY GREEN
  - C: FOR CISCO
- STAND-OFF
- |    |          |
|----|----------|
| 00 | : 0.0 mm |
| 20 | : 2.0 mm |
| 22 | : 2.2 mm |
| 30 | : 3.0 mm |
| 40 | : 4.0 mm |
| 43 | : 4.3 mm |
| 50 | : 5.0 mm |
- UPPER DECK : 5
- LOWER DECK : 0
- TOP MOUNT : 0
- BOTTOM MOUNT : 5

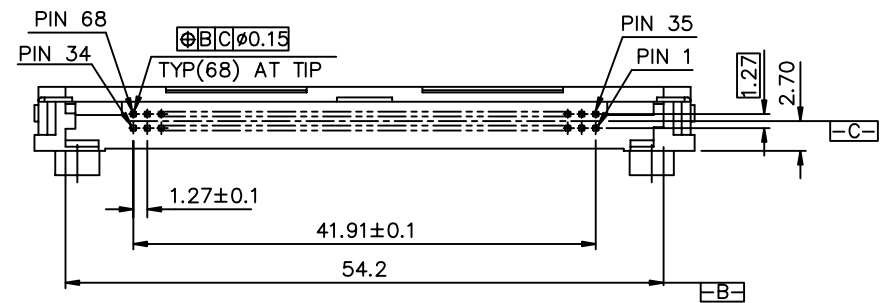
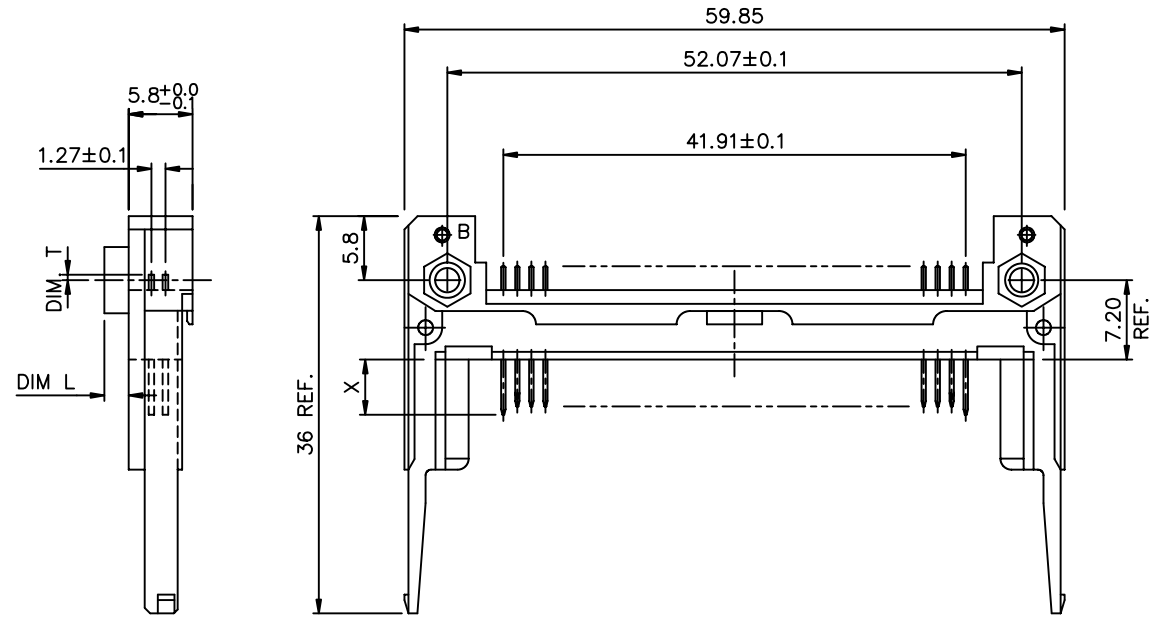
DIM "X"			
PIN NUMBER	4.25±0.1	3.5±0.1	5.0±0.1
	OTHERS	36,67	1,17,34 35,51,68

PRODUCT NO	DIM. L	DIM. T±0.10
61128-0543C/0543CLF	0.0	7.5
61128-0050C/0050CLF	5.0	0.6
61128-0043C/0043CLF	4.3	0.6
61128-0022C/0022CLF	2.2	0.6
61128-0022B/0022BLF	2.2	0.6
61128-0022/0022LF	2.2	0.6
61128-0543/0543LF	0.0	7.5
61128-0500/0500LF	0.0	10.9
61128-0100/0100LF	0.0	3.0
61128-0050N/0050NLF	5.0	0.6
61128-0040/0040LF	4.0	0.6
61128-0043/0043LF	4.3	0.6
61128-0050/0050LF	5.0	0.6
61128-0022V/0022VLF	2.2	3.0

mat'l code		tolerance unless otherwise specified		CUSTOMER COPY		 www.fciconnect.com	
rev.	ecn no.	dr	date	linear	±0.30	projection	title
K	T03-0389	W L	09/10/03				
L	N04-0030	P H	07/21/04	angles	± 2'		68POS. EJECTOR HEADER HEADER ASS'Y
M	N05-0140	W B	05/31/05				
		dr	WENDY CHEN	07/11/95	unit	product family	
		enr	L.W. LU	07/11/95	mm/inch	PMCA	code
		chr	JOSEPH HSIA	07/11/95	size	dwg no.	sheet
		appd	JENN TSAO	07/11/95	scale	61128	
sheet	revision	M	L			A3	1 of 2
index	sheet	1	2				

Tous droits strictement réservés. Reproduction ou communication à des tiers sans autorisation écrite du propriétaire.  
 Droits de reproduction BERG ELECTRONICS by

All rights strictly reserved. Reproduction or issue to third parties in any form or by any means without written authority from the proprietor.  
 Copyright BERG ELECTRONICS by



61128- □ □ □ □ □ □

LF : LEAD FREE

STAND-OFF 00 : 0.0 mm  
 20 : 2.0 mm  
 22 : 2.2 mm  
 30 : 3.0 mm  
 40 : 4.0 mm  
 43 : 4.3 mm  
 50 : 5.0 mm

UPPER DECK : 5  
 LOWER DECK : 0

TOP MOUNT : 0  
 BOTTOM MOUNT : 5

DIM "X"			
PIN NUMBER	4.25±0.1	3.5±0.1	5.0±0.1
	OTHERS	36,67	1,17,34 35,51,68

61128-5022/5022LF	2.2	0.6
61128-5543/5543LF	0.0	7.5
61128-5500/5500LF	0.0	10.9
61128-5043/5043LF	4.3	0.6
61128-5050/5050LF	5.0	0.6
PRODUCT NO	DIM. L	DIM. T±0.10

mat'l code		tolerance unless otherwise specified		CUSTOMER COPY		FCI		www.fciconnect.com	
rev.	ecn no.	dr	date	linear	±0.30	projection	title 68POS. EJECTOR HEADER HEADER ASS'Y		
L				angles	± 2'				
		dr	WENDY CHEN	10/16/01	unit	mm/inch	product family PCMCIA		code
		enr	MINERVA WANG	10/16/01	size	A3	dwg no.		sheet
		chr	MINERVA WANG	10/16/01	scale	2:1	61128		2 of
		appd	JENN TSAO	10/16/01					
sheet index	revision								