

REVISIONS			
REV	DESCRIPTION	DATE	APPROVED

ELECTRICAL SPECIFICATIONS

Frequency: 1.000 MHz
 Frequency Tolerance (Ref @ +25°C): ± 100 ppm Max.
 Frequency Stability (0 to +60°C): ± 100 ppm Max.
 Crystal Cut: SL
 Load Capacitance (CL): 13 pF
 Recommended Drive Level: 500 µW Max.
 Effective Series Resistance: 3000 Ω Max.
 Insulation Resistance: 500 Megaohms Min. @ 100 Vdc
 Shunt Capacitance: 7 pF Max.
 Mode of Operation: Fundamental
 Aging: ± 10 ppm/year Max.
 Storage Temperature: -30 to +85°C
 Operating Temperature: 0 to +60°C
 Package Type: HC-49U

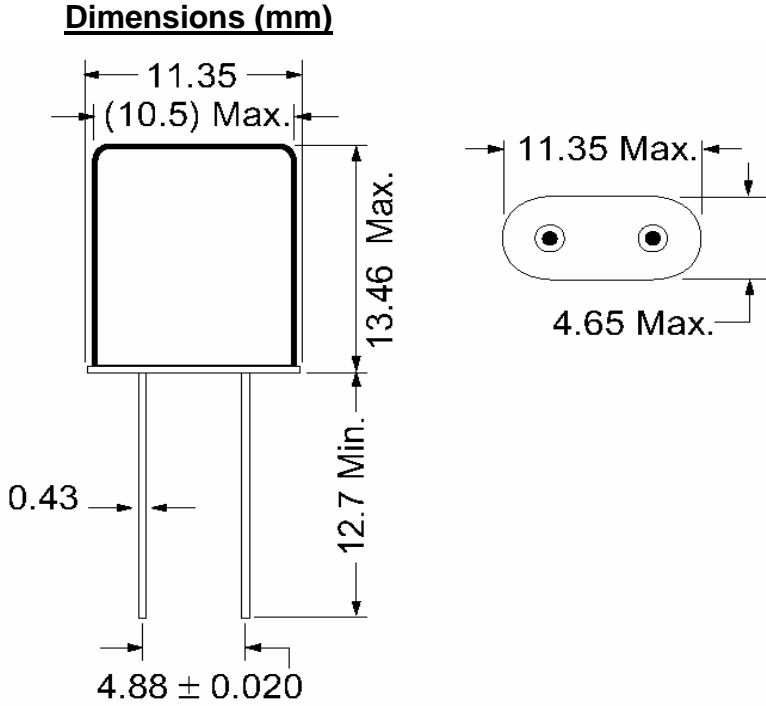


Figure 1) Side and bottom view

ECS Part Number: ECS-10-13-1H

ECS INC. INTERNATIONAL 1105 S. Ridgeview Olathe, KS 66062 (913) 782-7787			
SIGNATURES		DATE	
DRN	BL	11/24/1998	
CHK	DK	11/24/1998	
APP	BS	11/24/1998	
TITLE		1.000 MHz Crystal, HC-49U 13 pF Load Capacitance, SL Cut	
SIZE	DWG NO.	REV	
A	ECS-10-13-1H	-	
CAGE CODE: 1G8B7		SHEET 1 OF 1	

SIGNATURES		DATE	
DRN	BL	11/24/1998	
CHK	DK	11/24/1998	
APP	BS	11/24/1998	
Dimensions in mm			