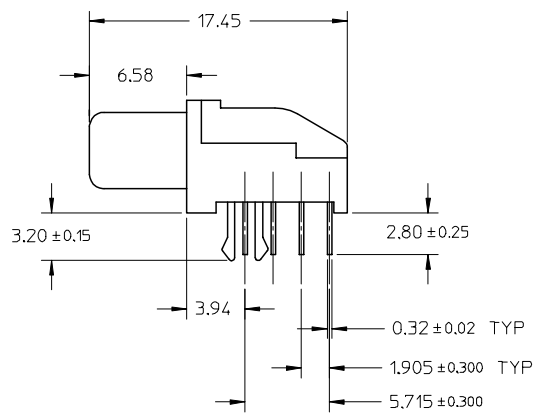
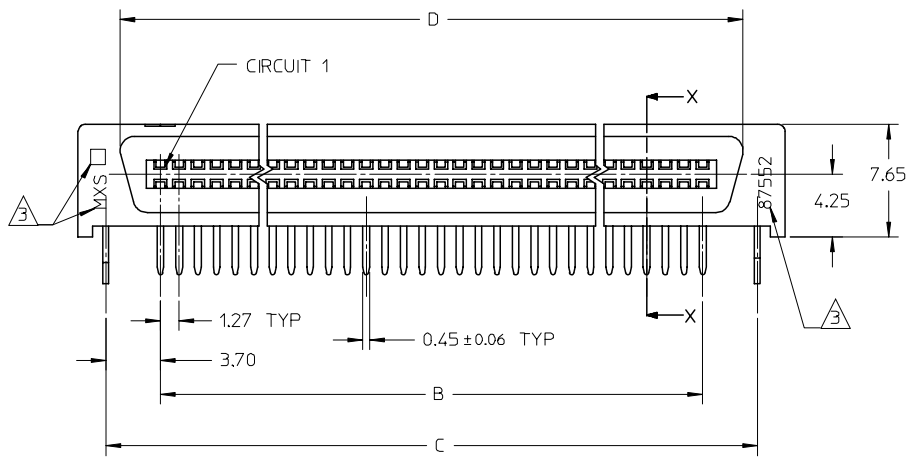
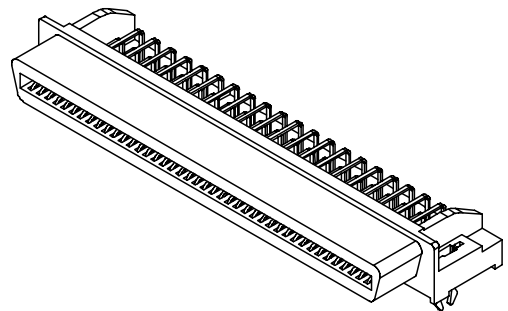
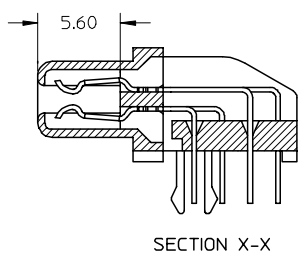
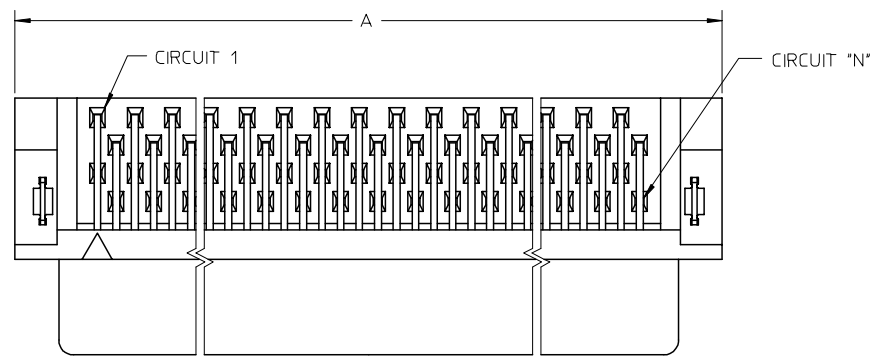


10 9 8 7 6 5 4 3 2 1

ASSEMBLY P/N	CKT SIZE	A	B	C	D
87552-1580	80	60.75	49.53	56.93	55.07



- NOTES:
- MATERIAL:
HOUSING : HIGH TEMPERATURE THERMOPLASTIC, UL 94-V0
TERMINAL AND FORKLOCK : COPPER ALLOY
 - PLATING:
TERMINAL: 0.38µM MIN. GOLD ON CONTACT AREA AND
2.54µM MIN. TIN ON SOLDER TAIL AREA,
BOTH OVER 1.27µM MIN. NICKEL.
FORKLOCK: 2.54µM MIN TIN OVER 1.25µM MIN. NICKEL.
 - MOLEX LOGO, CAVITY AND PART NUMBER LOCATED APPROXIMATELY AS SHOWN
 - ASSEMBLY MATES WITH MOLEX P/N 71661-****.
 - RECOMMENDED PCB THICKNESS IS 1.60MM.
 - PRODUCT SPECIFICATION PS-87552-006 APPLIES

REVISED	DESCRIPTION
EC NO: S2007-1023	2007/05/23
DRWN:SKANG	2007/05/23
CHKD:ATSEE	2007/05/23
APPR:MLONG	2007/05/23
A1	REV

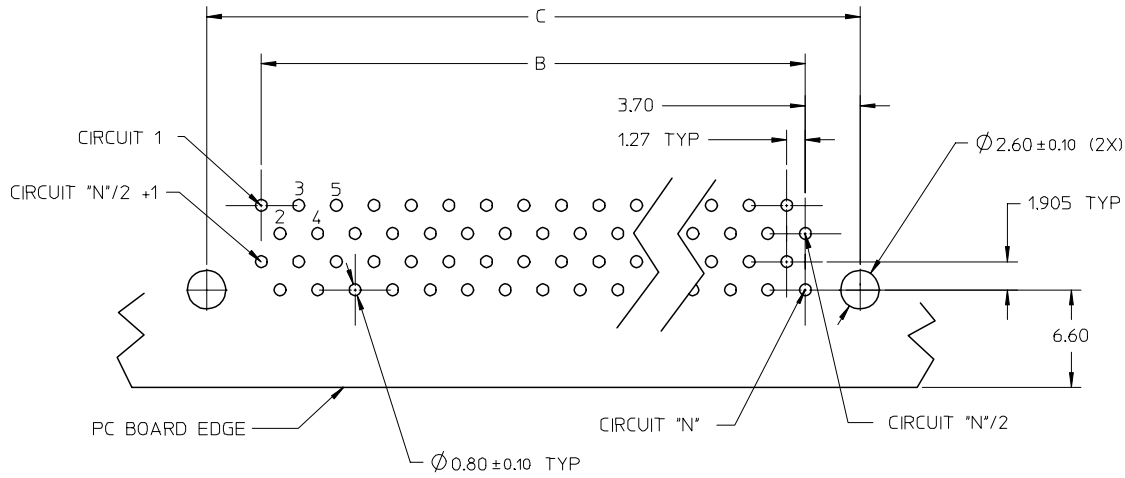
QUALITY SYMBOLS
▽=0
∇=0

GENERAL TOLERANCES (UNLESS SPECIFIED)	
mm	INCH
4 PLACES ± ---	± ---
3 PLACES ± ---	± ---
2 PLACES ± 0.3	± ---
1 PLACE ± ---	± ---
ANGULAR ± 3 °	
DRAFT WHERE APPLICABLE MUST REMAIN WITHIN DIMENSIONS	

DIMENSION STYLE	
MM ONLY	
DRAWN BY	DATE
ANG	2005/04/15
CHECKED BY	DATE
KCL ING	2005/05/05
APPROVED BY	DATE
SKTOH	2005/05/06
MATERIAL NO.	
SEE TABLE	
SIZE	A3

SCALE	DESIGN UNITS	THIRD ANGLE PROJECTION
NTS	METRIC	☉
TITLE		EBBI, 1.27MM PITCH RECEPTACLE, R/A
MOLEX INCORPORATED		
DOCUMENT NO.	SHEET NO.	
SD-87552-012	1 OF 2	
THIS DRAWING CONTAINS INFORMATION THAT IS PROPRIETARY TO MOLEX INCORPORATED AND SHOULD NOT BE USED WITHOUT WRITTEN PERMISSION		

9 8 7 6 5 4 3 2 1



RECOMMENDED PCB LAYOUT
COMPONENT SIDE

REVISED EC NO: S2007-1023 DRWN:SKANG CHKD:ATSEE APPR:MLONG 2007/05/23 2007/05/23 2007/05/23	QUALITY SYMBOLS	GENERAL TOLERANCES (UNLESS SPECIFIED)		DIMENSION STYLE MM ONLY		SCALE NTS	DESIGN UNITS METRIC	THIRD ANGLE PROJECTION	
	$\nabla = 0$	4 PLACES	\pm ---	\pm ---	DRAWN BY ANG	DATE 2005/04/15	TITLE EBBI, 1.27MM PITCH RECEPTACLE, R/A		
	$\sphericalangle = 0$	3 PLACES	\pm ---	\pm ---	CHECKED BY KCLING	DATE 2005/05/05			
			2 PLACES	± 0.3	\pm ---	APPROVED BY SKTOH	DATE 2005/05/06	MOLEX INCORPORATED	
		1 PLACE	\pm ---	\pm ---	MATERIAL NO.	DOCUMENT NO.	SHEET NO.		
A1	REV	DRAFT WHERE APPLICABLE MUST REMAIN WITHIN DIMENSIONS		SEE TABLE		SD-87552-012		2 OF 2	
THIS DRAWING CONTAINS INFORMATION THAT IS PROPRIETARY TO MOLEX INCORPORATED AND SHOULD NOT BE USED WITHOUT WRITTEN PERMISSION									