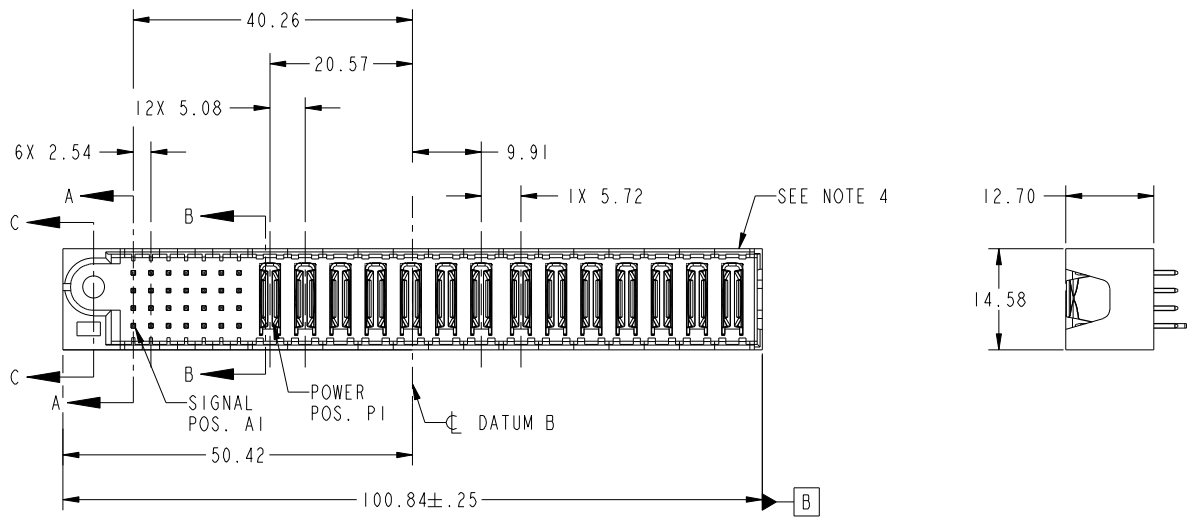


Tous droits strictement réservés. Reproduction ou communication a des tiers interdite sous quelque forme que ce soit sans autorisation écrite du propriétaire. Propriété de c FCI. Droits de reproduction FCI.



All rights strictly reserved. Reproduction or issue to third parties in any form whatever is not permitted without written authority from the proprietor. Property of FCI. Copyright FCI.

PRODUCT NO.	ROWS	SIGNAL							POWER													
		E	1	2	3	4	5	6	7	P1	P2	P3	P4	P5	P6	P7	P8	P9	P10	P11	P12	P13
51952-055... NOTE: 3	D C B A	[Grid of 7x7 signal pins]							[Grid of 14x4 power pins]													



CODE	DIM "M" MATING LENGTH	CONTACT TYPE
PA	[N/A]	POWER
E	[6.86]	SIGNAL
H	[5.59]	SIGNAL
HA	[N/A]	HOLD-DOWN

mat'l code				SEE NOTE		tolerances unless otherwise specified		CUSTOMER		FCI	
ltr	ecn no.	dr	date	linear	0.X ± 0.5	projection		COPY		www.fciconnect.com	
A	DG05-0024	TAB	04/08/05		0.XX ± 0.25	M		title		28S + 14P	
B	DG05-0143	GuoJM	06/03/05	angles	0.XXX ± 0.10	MM		product family		PwrBlade	
C	DG05-0515	RYAN	12/15/05	dr	0° ± 2°	scale		size		213	
D	DG07-0498	JW	09/12/08	enr	T.BRUNGARD 04/08/05	1:1		dwg no		1 of 4	
				chr	L.HAO 04/08/05			51952-055			
				appd	VICTOR LIN 04/08/05						
					JOSEPH HSIA 04/08/05						
sheet index	revision sheet	D	D	D	D						
		1	2	3	4						

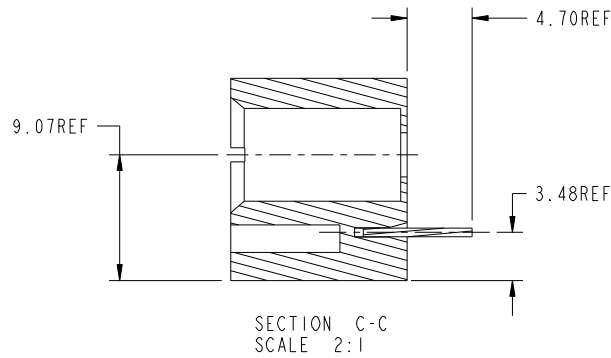
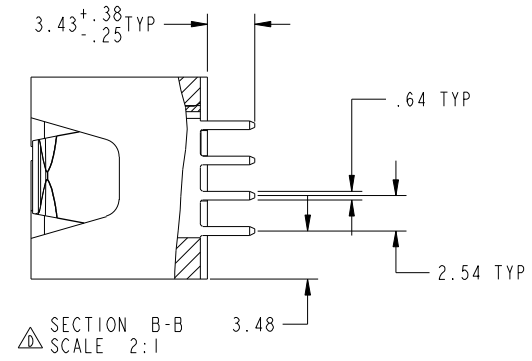
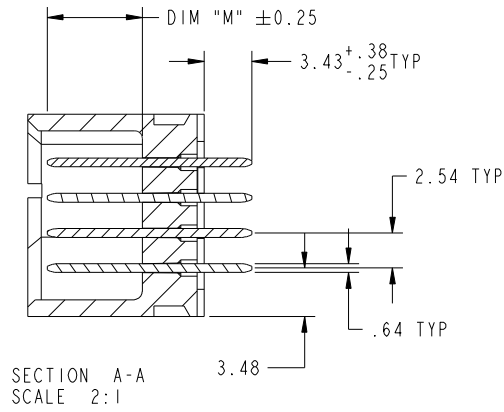
cage code		22526	
-----------	--	-------	--

Tous droits strictement reserves. Reproduction ou communication a des tiers interdite sous quelque forme que ce soit sans autorisation écrite du propriétaire. Propriete de c FCI. Droits de reproduction FCI.



All rights strictly reserved. Reproduction or issue to third parties in any form whatever is not permitted without written authority from the proprietor. Property of FCI. Copyright FCI.

PRODUCT NUMBER
51952-055__
NOTE: 3



mat'l code		SEE NOTE		tolerances unless otherwise specified		CUSTOMER		www.fciconnect.com	
ltr	ecr no.	dr	date	linear	0.X ±0.5	COPY		title	
D					0.XX ±0.25	projection		28S + 14P VERTICAL SOLDER HEADER	
				angles	0.XXX ±0.10			product family PwrBlade code	
		dr	T.BRUNGARD	04/08/05	0° +2°	MIM		size	
		enr	L.HAO	04/08/05				dwg no	
		chr	VICTOR LIN	04/08/05		scale		213	
		appd	JOSEPH HSIA	04/08/05		1:1		sheet	
sheet index		revision sheet						2	

cage code 22526

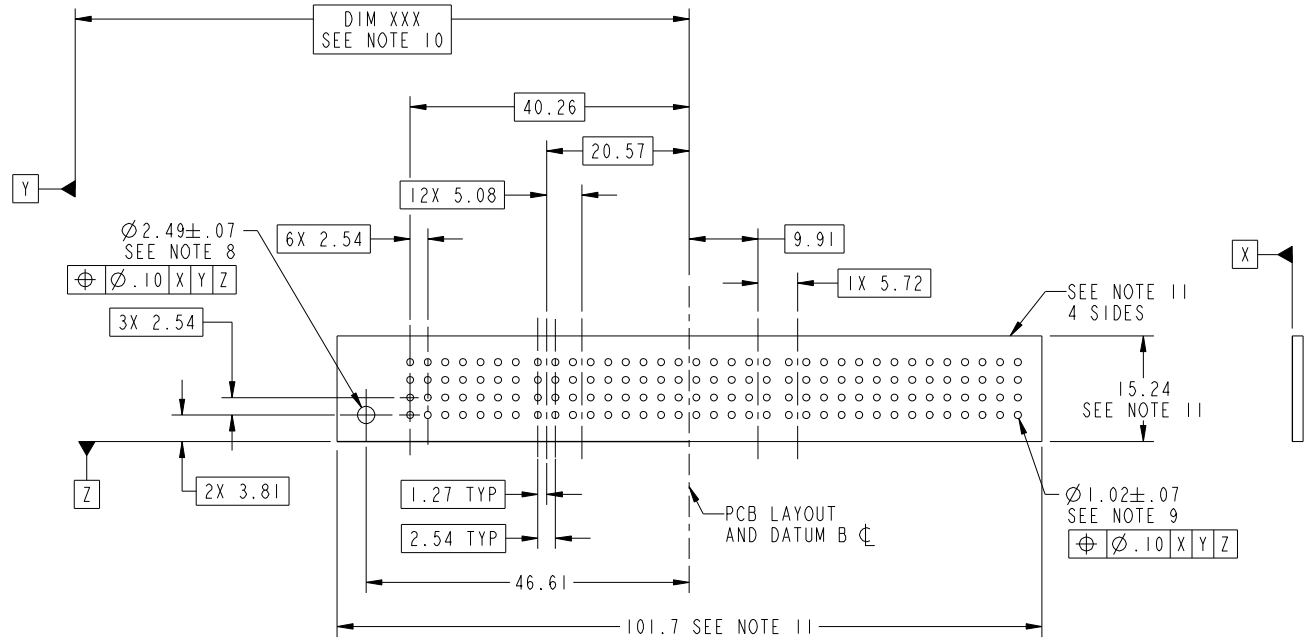
Pro/E

Tous droits strictement reserves. Reproduction ou communication a des tiers interdite sous quelque forme que ce soit sans autorisation écrite du propriétaire. Propriete de c FCI. Droits de reproduction FCI.



All rights strictly reserved. Reproduction or issue to third parties in any form whatever is not permitted without written authority from the proprietor. Property of FCI. Copyright FCI.

PRODUCT NUMBER
51952-055_-
NOTE: 3



mat'l code		SEE NOTE		tolerances unless otherwise specified		CUSTOMER		FCI www.fciconnect.com	
ltr	ecn no.	dr	date	linear	0.X ± 0.5	COPY		title	
D					0.XX ± 0.25	projection		28S + 14P VERTICAL SOLDER HEADER	
				angles	0.XXX ± 0.10	MIM		product family PwrBlade code	
				dr	0° + 2°	← MIM →		size	
				enr	T.BRUNGARD 04/08/05	scale		dwg no	
				chr	L.HAO 04/08/05	1:1		51952-055	
				appd	VICTOR LIN 04/08/05			sheet	
					JOSEPH HSIA 04/08/05			3	
sheet index	revision sheet							cage code	
								22526	

Pro/E

cage code
22526

Tous droits strictement reserves. Reproduction ou communication a des tiers interdite sous quelque forme que ce soit sans autorisation écrite du propriétaire. Propriete de c FCI. Droits de reproduction FCI.



All rights strictly reserved. Reproduction or issue to third parties in any form whatever is not permitted without written authority from the proprietor. Property of FCI. Copyright FCI.

PRODUCT NUMBER
51952-055_-
NOTE: 3

NOTES:

1. DIMENSIONS AND TOLERANCES ARE IN ACCORDANCE WITH ASME Y14.5M, 1994 UNLESS OTHERWISE SPECIFIED.

CONNECTOR NOTES:

2 HOUSING MATERIAL: UL 94 V-0 GLASS FILLED HIGH-TEMP THERMOPLASTIC
POWER CONTACT MATERIAL: COPPER ALLOY
SIGNAL PIN MATERIAL: COPPER ALLOY

3. PLATING:
△ SEE ITEM 1 & 2 IN PRINT 10064183 FOR PLATING SPEC OF 51952-055; 51952-055LF RESPECTIVELY

4 MANUFACTURER'S NAME, P/N, AND DATE CODE TO APPEAR ON THIS SURFACE.

5. PRODUCT SPECIFICATION GS-12-149.
APPLICATION SPECIFICATION BUS-20-067.

6. PACKAGED IN TRAYS.

PCB NOTES:

7. ALL HOLE DIAMETERS ARE FINISHED HOLE SIZE.

8. MOUNTING HOLES, WHERE APPLICABLE, ARE UNPLATED.

9 $\varnothing 1.151 \pm 0.025$ DRILLED HOLES PLATED WITH)
0.008 MIN SnPb OR Sn OVER 0.03
TO 0.08 Cu PLATING TO ACHIEVE
 $\varnothing 1.02 \pm .07$ HOLE.

10 "DIM XXX" TO BE DETERMINED BY THE CUSTOMER.

11 CONNECTOR KEEP-OUT ZONE.

12. A △ SYMBOL WILL BE NEXT TO ANY DIMENSION, VIEW, OR NOTE WHICH HAS BEEN MODIFIED WITH THE CURRENT DRAWING REVISION.

mat'l code		SEE NOTE		tolerances unless otherwise specified		CUSTOMER		FCI www.fciconnect.com	
ltr	ecn no.	dr	date	linear	0.X ± 0.5	COPY		title	
D					0.XX ± 0.25	projection		28S + 14P VERTICAL SOLDER HEADER	
				angles	0.XXX ± 0.10			product family PwrBlade code	
				dr	T.BRUNGARD 04/08/05	MIM		size	
				engr	L.HAO 04/08/05			dwg no 213	
				chr	VICTOR LIN 04/08/05	scale		sheet 4	
				appd	JOSEPH HSIA 04/08/05	1:1		A 51952-055	
sheet index	revision sheet								

cage code 22526

Pro/E