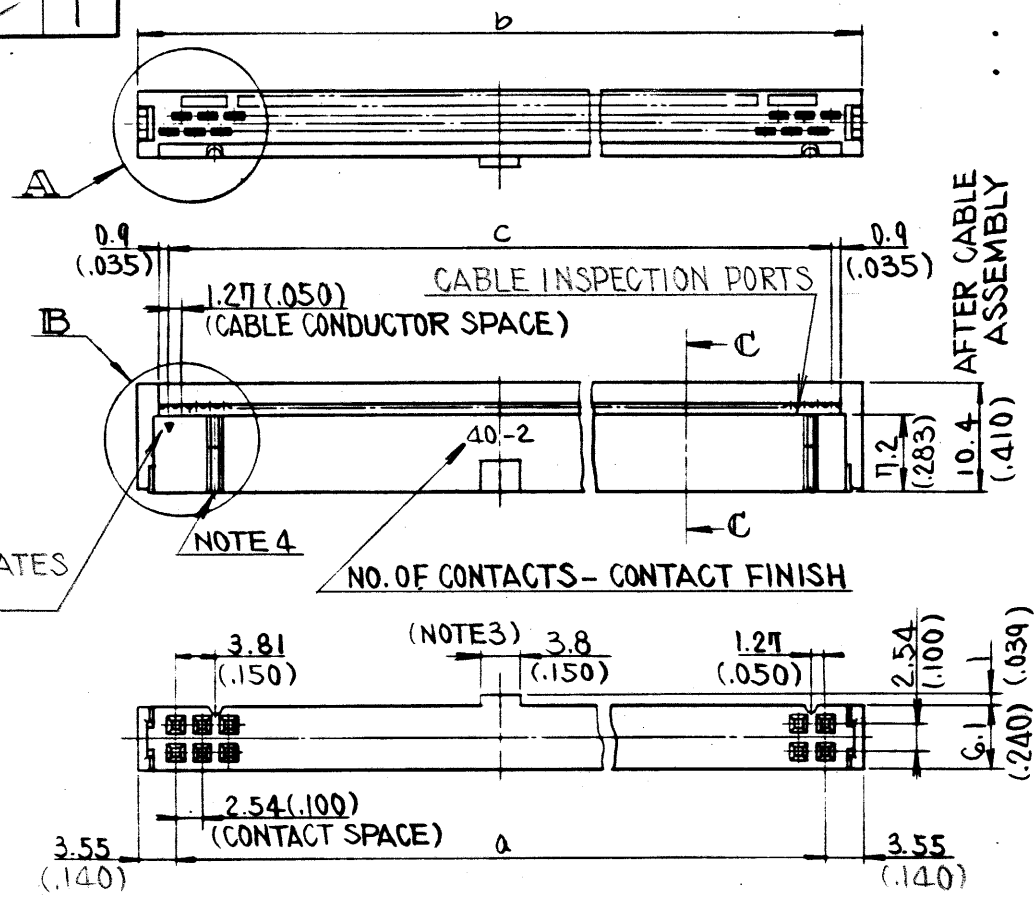


SJ017714-E 1



**NOTE 1, CONTACT FINISH**

	1	2	3	4
MATING PORTION	GOLD FLASH	GOLD 10 MICROINCHES OVER NICKEL	GOLD 30 MICROINCHES OVER NICKEL	GOLD 20 MICROINCHES OVER NICKEL
OTHER AREA	GOLD FLASH	GOLD FLASH	GOLD FLASH	GOLD FLASH

- 2, COVER WILL BE SUPPLIED PARTIALLY ASSEMBLED TO THE HOUSING AS SHOWN.
- 3, THE POLARIZING KEY IS NON-EXISTENT ON THE 10 POSITION CONNECTOR.
- 4, THE POLARIZING FEATURE ON THIS END IS NON-EXISTENT ON THE 10 POSITION CONNECTOR.

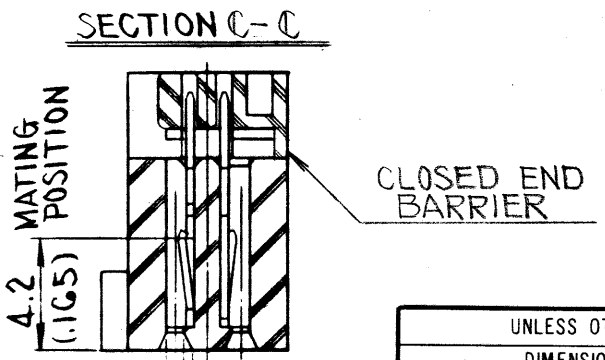
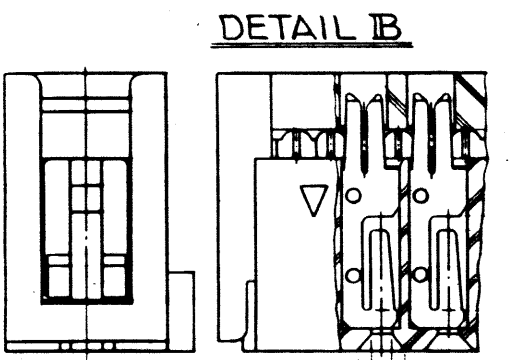
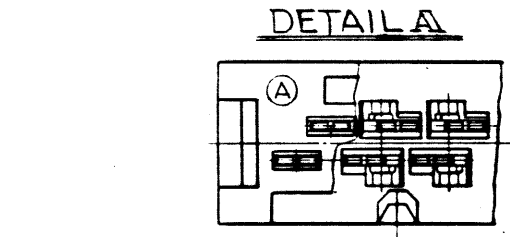
**IDENTIFICATION**

PS-50 SM-D4P1-*C	SERIES PREFIX	NO. OF CONTACTS (SEE TABLE 1)	TYPE OF CONNECTOR	CONTACT CONFIGURATION	CONTACT ROW	CONTACT SPACE	COVER CONFIGURATION	CONTACT FINISH (SEE NOTE 1)	APPLICABLE WIRE SIZE	TYPE OF TERMINATION
			S-SOCKET CONTACT RESEPTACLE	D-DOUBLE	D-DOUBLE	4-2.54 (.100)	C-CLOSED END TYPE		1-AWG 28 STRANDED AND SOLID	P-SELF PIERCING (INSULATION DISPLACEMENT)

**TABLE 1. PART NO., NO. OF CONTACTS AND DIMENSIONS**

PART NO.	NO. OF CONTACTS	DIMENSIONS		
		a	b	c
PS-10SM-D4PI-*C	10	10.16 (.400)	17.26 (.680)	11.43 (.450)
↑ 16 ↑	↑ 16 ↑	↑ 17.78 (.700) ↑	↑ 24.88 (.980) ↑	↑ 19.05 (.750) ↑
20	20	22.86 (.900)	29.96 (1.180)	24.13 (.950)
26	26	30.48 (1.200)	37.58 (1.480)	31.75 (1.250)
30	30	35.56 (1.400)	42.66 (1.680)	36.83 (1.450)
34	34	40.64 (1.600)	47.74 (1.880)	41.91 (1.650)
40	40	48.26 (1.900)	55.36 (2.180)	49.53 (1.950)
↓ 50 ↓	↓ 50 ↓	↓ 60.96 (2.400) ↓	↓ 68.06 (2.680) ↓	↓ 62.23 (2.450) ↓
PS-60SM-D4PI-*C	60	73.66 (2.900)	80.76 (3.180)	74.93 (2.950)

3	HOUSING	1	P.B.T	NONE	UL94V-0
2	COVER	1	P.B.T	NONE	UL94V-0
1	CONTACT	SEE TABLE 1	BERYLLIUM COPPER	SEE NOTE 1.	
ITEM	DESCRIPTION	Q'TY	MATERIAL	FINISH	REMARK



NEXT ASS'Y	USED ON	NEXT ASS'Y	FINAL ASS'Y
APPLICATION		Q'TY REQ'D	

UNLESS OTHERWISE SPECIFIED		
DIMENSIONS ARE IN MILLIMETERS		
TOLERANCES ON: (INCHES)		
FRACTIONS	DECIMALS	ANGLES
		3rd
TREATMENT OR FINISH		

DATE	20 JAN 1983
DRAWN	H. Tsuchiya
CHECKED	[Signature]
APP'D	[Signature]
APP'D	T. Yajima

PS-\*\*SM-D4P1-JAE-CONNECTOR.COM

SOCKET RECEPTACLE

CLOSED END TYPE

JAPAN AVIATION ELECTRONICS  
IND. CO., LTD.  
FACTORY

Reference Only

NARAGAMI-CHO, AKISHIMA-SHI  
TOKYO, JAPAN

DWG. NO.  
**SJ017714-E**

SHEET