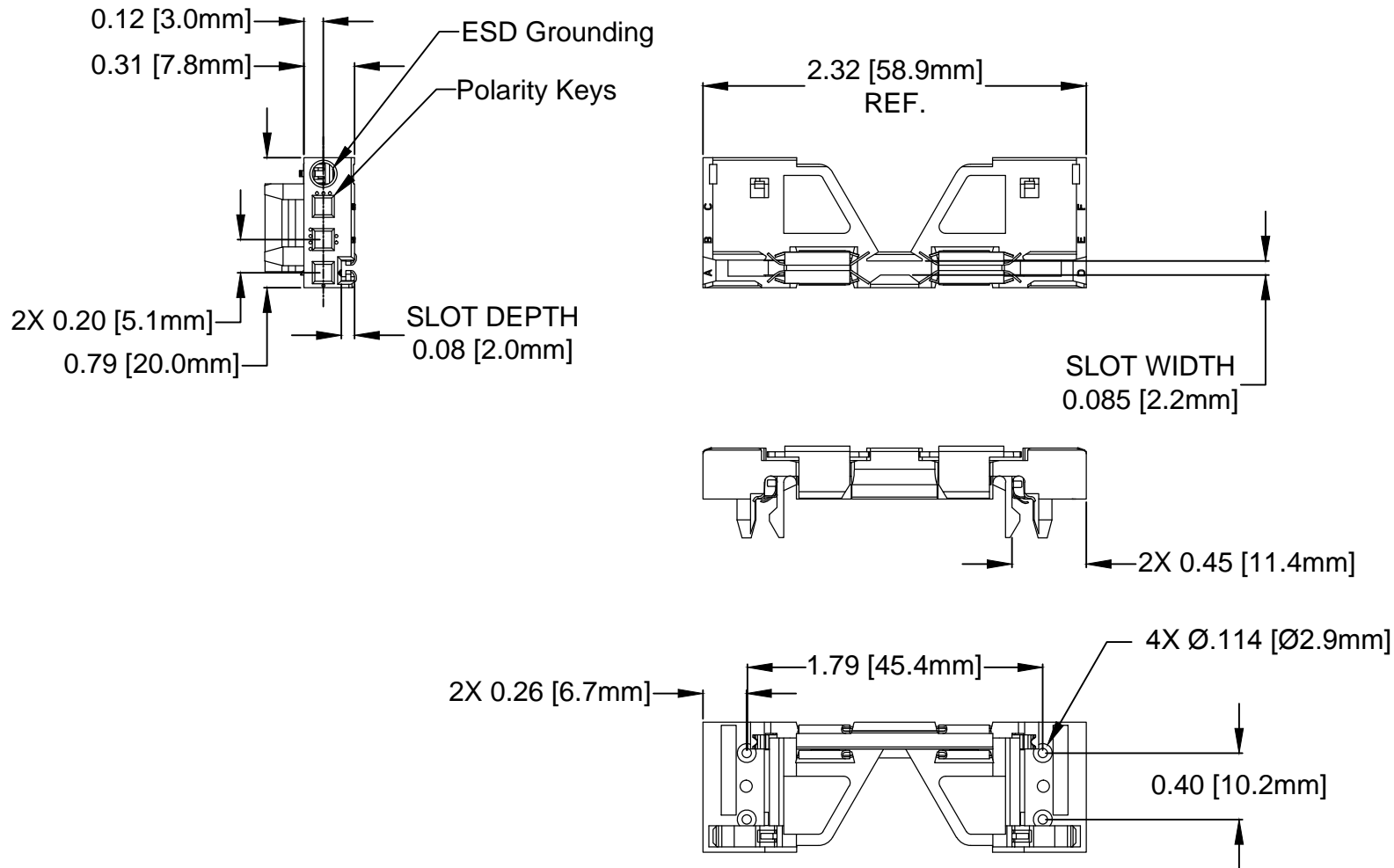



ITEM	Q'TY	PART NUMBER	PART DESCRIPTION
1	1	CPCI-80	80mm Card Guide, Grey
2	X	CPCI-ESD1	CPCI ESD Clips, PCB Grounding, SEE SHEET 2 TABLE 1
3	X	CPCI-ESD2	CPCI ESD Clips, Extractor Grounding, SEE SHEET 2 TABLE 1

REV.	DESCRIPTION	DATE	APPROVED
B	Engineering Release.	11/20/14	J. C.

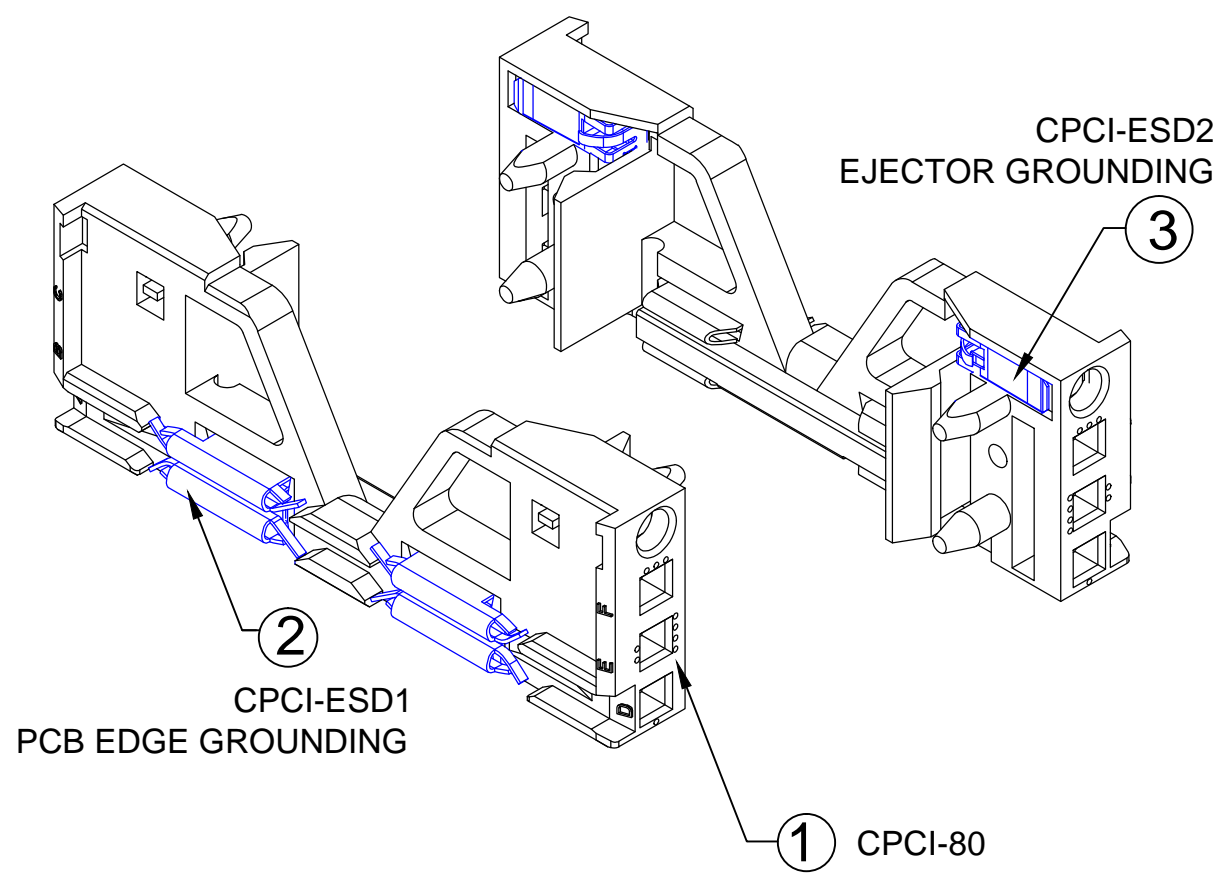


2. MATERIAL: POLYCARBONATE, 20% GLASS FILLED

1. GENERAL SPECIFICATIONS: BIVAR MOLDED COMPONENT SPECIFICATION BV00-E101.

STANDARD TOLERANCE (UNLESS OTHERWISE SPECIFIED)		 <b>BIVAR</b> <sup>®</sup> 4 THOMAS, IRVINE, CA. 92618 TEL: (949) 951-8808 FAX: (949) 951-3974	
DECIMALS	ANGULAR		
.X ± .1	X° ± 1°	<b>TITLE:</b> 80mm CPCI CARD GUIDE WITH ESD CLIPS <b>PART NO:</b> CPCI-80-ESDXX <b>REVISION:</b> B	
.XX ± .01			
.XXX ± .005			
DESIGNED: <b>Alex Wright</b>	DATE: <b>08/21/14</b>	<b>CAGE CODE : 32559</b> <b>SHEET # 1 OF 2</b>	
CHECKED: <b>Brian Oliver</b>	DATE: <b>08/21/14</b>	CAD GENERATED DOCUMENT, DO NOT MEASURE DRAWING.	

REV.	DESCRIPTION	DATE	APPROVED
	SEE SHEET #1		



**TABLE 1  
ASSEMBLY CONFIGURATIONS**

ASSEMBLY PART NUMBERS	ITEM	QTY		
CPCI-80-ESD1	2	2		
CPCI-80-ESD2	3	2		
CPCI-80-ESD12	2	3	2	2

NOTE: ESD CLIPS COME PRE-ASSEMBLED

STANDARD TOLERANCE (UNLESS OTHERWISE SPECIFIED)		<b>BIVAR</b> <sup>®</sup> 4 THOMAS, IRVINE, CA. 92618 TEL: (949) 951-8808 FAX: (949) 951-3974	
DECIMALS	ANGULAR		
.X ± .1	X° ± 1°	<b>TITLE: 80mm CPCI CARD GUIDE WITH ESD CLIPS</b>	
.XX ± .01			
.XXX ± .005			
DESIGNED: <b>Alex Wright</b>	DATE: <b>08/21/14</b>	<b>PART NO:</b> CPCI-80-ESDXX	REVISION: <b>B</b>
CHECKED: <b>Brian Oliver</b>	DATE: <b>08/21/14</b>	<b>CAGE CODE : 32559</b>	<b>SHEET # 2 OF 2</b>
<small>CAD GENERATED DOCUMENT, DO NOT MEASURE DRAWING.</small>			