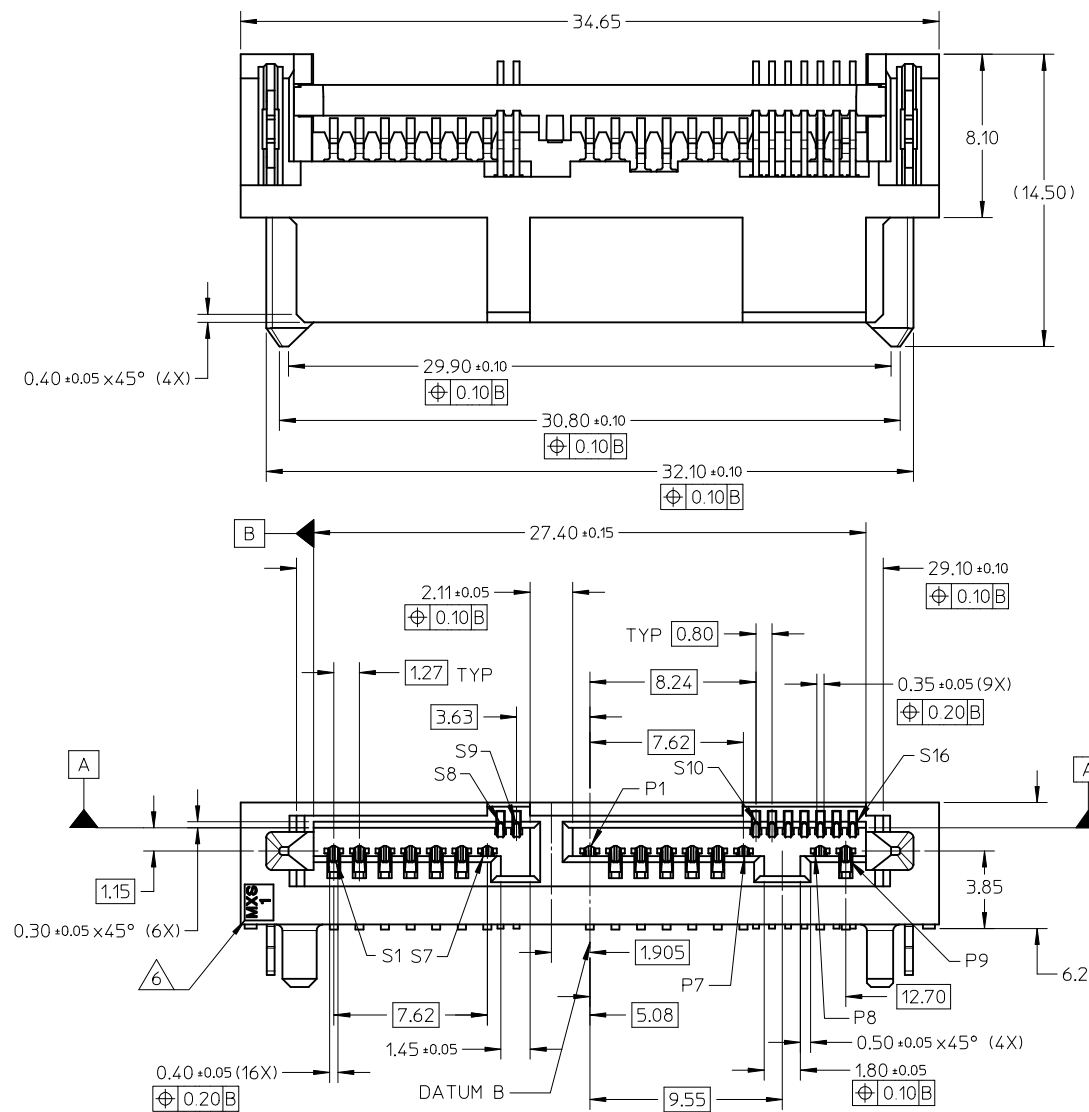
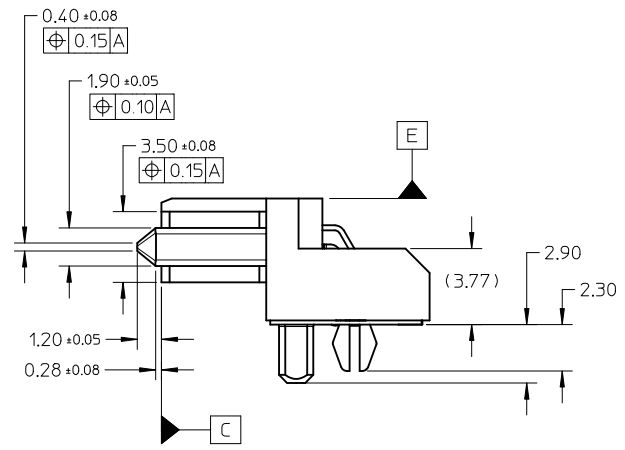


10 9 8 7 6 5 4 3 2 1

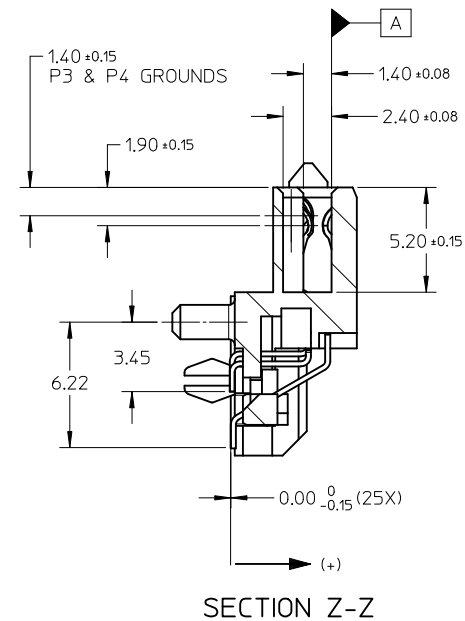
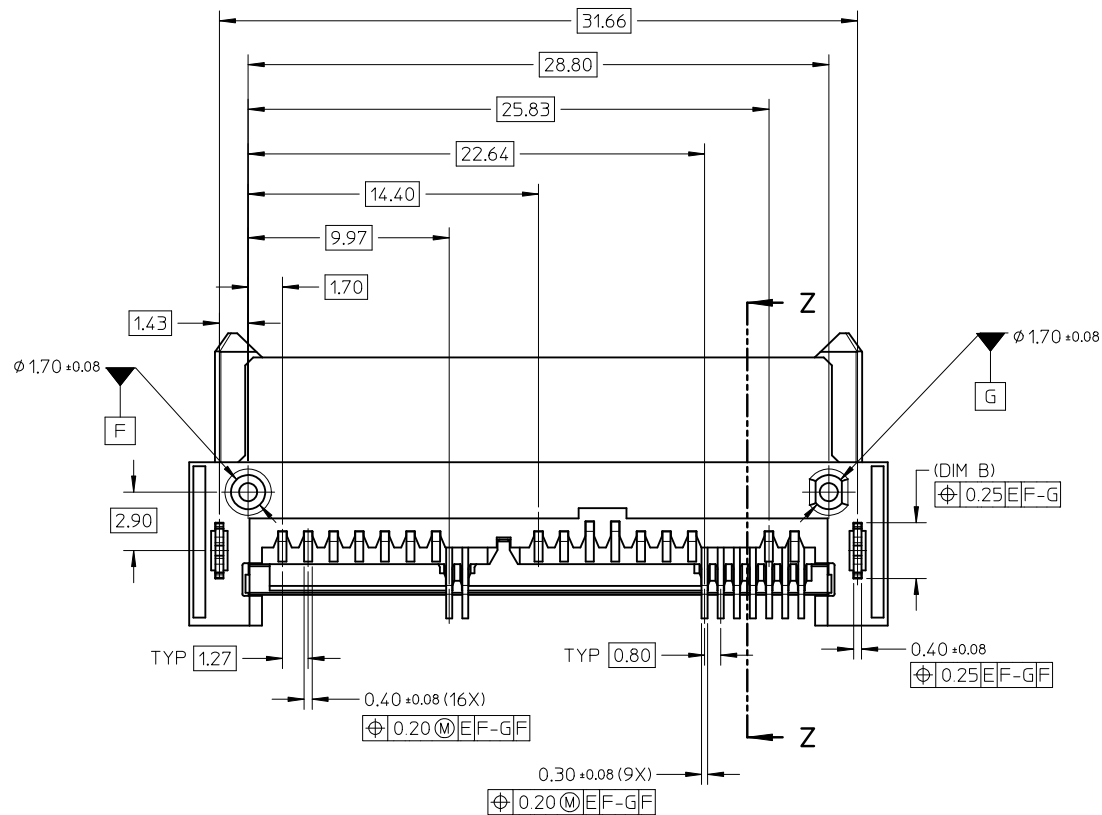


- NOTES:
- MATERIAL : LCP, GLASS FILLED, UL 94V-0, BLACK  
TERMINAL/FORKLOCK : COPPER ALLOY
  - FINISHES :  
TERMINAL : 0.76µm MIN. SELECTIVE GOLD OVER  
1.27µm MIN. NICKEL UNDERPLATE  
: 2.54µm MIN. TIN OVER  
1.27µm MIN. NICKEL UNDERPLATE  
FORKLOCK : 2.54µm MIN. TIN OVER  
1.27µm MIN. NICKEL UNDERPLATE
  - PRODUCT SPECIFICATION PS-78395-001
  - PACKAGING SPECIFICATION : TRAY
  - MATES WITH : MOLEX MICRO SAS PLUG
  - MOLEX LOGO LOCATED APPROXIMATELY AS SHOWN
  - THIS PRODUCT IS COMPLIANT TO RoHS DIRECTIVE WITH THE FOLLOWING BANNED SUBSTANCES - LEAD, MERCURY, CADMIUM, HEXAVALENT CHROMIUM, POLYBROMINATED BIPHENYLS AND POLYBROMINATED DIPHENYLS ETHERS.
  - NON FUNCTIONAL CORING MAY VARY.

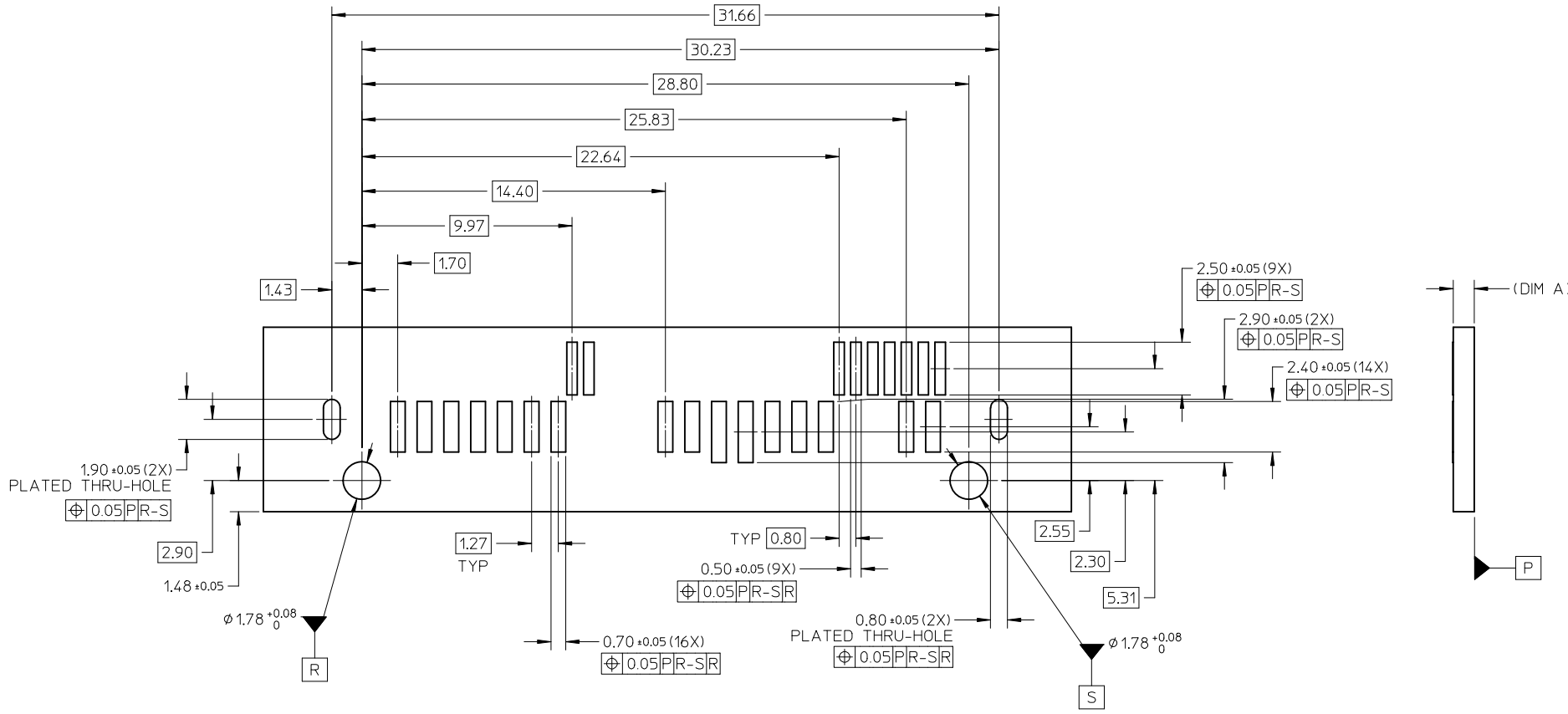


REVISED BASEPLATE EC NO: S2010-0600 DRAWN: GEMARLY 2010/01/14 CHKD: SCHEONG 2010/03/31 APPR: BOKKOK 2010/04/01	DESCRIPTION	QUALITY SYMBOLS	GENERAL TOLERANCES (UNLESS SPECIFIED)		DIMENSION STYLE	SCALE	DESIGN UNITS	THIRD ANGLE PROJECTION		
		$F_A=0$	mm	INCH	MM ONLY	NTS	METRIC			
		$F_C=0$	4 PLACES ± --- ± ---		DRAWN BY	DATE	TITLE			
		$F_B=0$	3 PLACES ± --- ± ---		CHECKED BY	DATE	MICRO SAS RECEPTACLE R/A, SMT, 3.85MM HEIGHT 1.8 INCH SSD/HDD			
		2 PLACES ± 0.20 ± ---		APPROVED BY	DATE	MOLEX INCORPORATED				
		1 PLACE ± --- ± ---		MATERIAL NO.	2010/03/31	DOCUMENT NO. SD-78395-001				
		ANGULAR ± 3 °	DRAFT WHERE APPLICABLE MUST REMAIN WITHIN DIMENSIONS		SEE TABLE		SHEET NO. 1 OF 4			
A7	REV				SIZE	THIS DRAWING CONTAINS INFORMATION THAT IS PROPRIETARY TO MOLEX INCORPORATED AND SHOULD NOT BE USED WITHOUT WRITTEN PERMISSION				

9 8 7 6 5 4 3 2 1



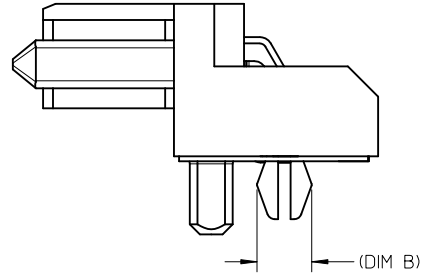
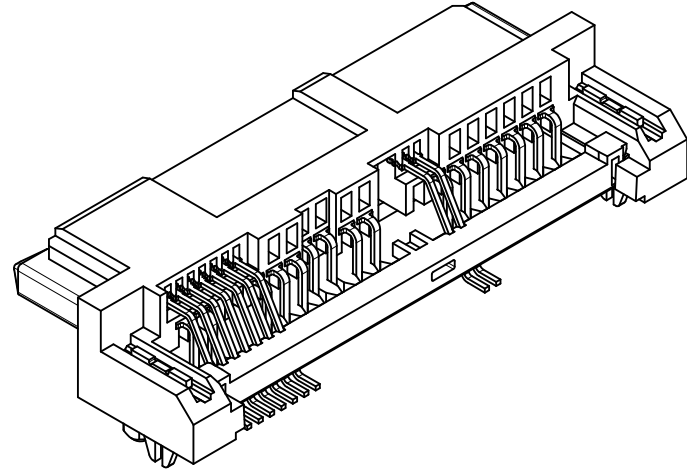
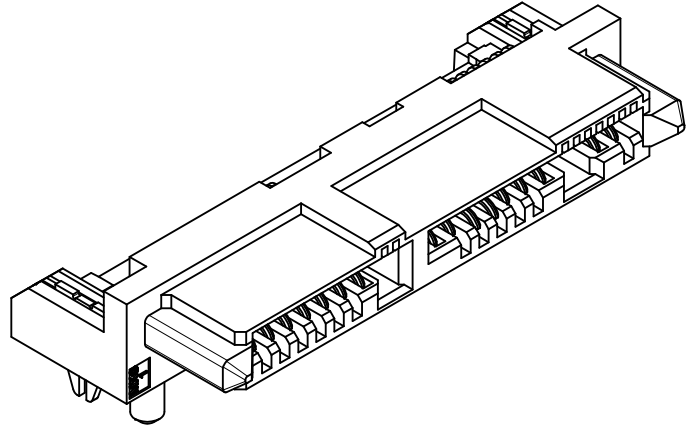
<b>REVISED BASEPLATE</b> EC NO: S2010-0600 DRWN: GEMARLY 2010/01/14 CHKD: SCHEONG 2010/03/31 APPR: BOKKOK 2010/04/01	QUALITY SYMBOLS	GENERAL TOLERANCES (UNLESS SPECIFIED)		DIMENSION STYLE	SCALE	DESIGN UNITS	THIRD ANGLE PROJECTION
	$F_A = 0$ $F_G = 0$ $F_P = 0$	mm	INCH	MM ONLY	NTS	METRIC	
		4 PLACES ± --- ± ---		DRAWN BY	DATE	TITLE	
		3 PLACES ± --- ± ---		YKOH	2008/05/20	MICRO SAS RECEPTACLE R/A, SMT, 3.85MM HEIGHT 1.8 INCH SSD/HDD	
	2 PLACES ± 0.20 ± ---		CHECKED BY	DATE	MOLEX INCORPORATED		
	1 PLACE ± --- ± ---		JTAN02	2008/06/11			
			APPROVED BY	DATE	DOCUMENT NO.		
			BOKKOK	2010/03/31	SD-78395-001		
			MATERIAL NO.	SEE TABLE		SHEET NO.	
				DRAFT WHERE APPLICABLE MUST REMAIN WITHIN DIMENSIONS		2 OF 4	
			SIZE	THIS DRAWING CONTAINS INFORMATION THAT IS PROPRIETARY TO MOLEX INCORPORATED AND SHOULD NOT BE USED WITHOUT WRITTEN PERMISSION			
			A3				



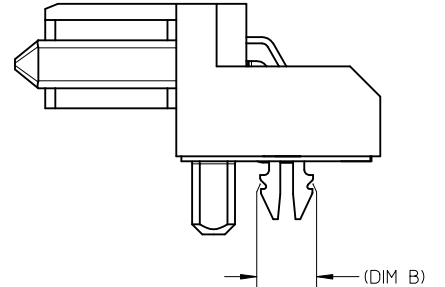
RECOMMENDED PCB LAYOUT

<b>REVISED BASEPLATE</b> EC NO: S2010-0600 DRW: GEMENARLY 2010/01/14 CHK: D. SCHEONG 2010/03/31 APPR: BOKKOK 2010/04/01	QUALITY SYMBOLS	GENERAL TOLERANCES (UNLESS SPECIFIED)		DIMENSION STYLE <b>MM ONLY</b>		SCALE NTS	DESIGN UNITS METRIC	THIRD ANGLE PROJECTION
	$F_A=0$	mm	INCH	DRAWN BY YKOH	DATE 2008/05/20	TITLE MICRO SAS RECEPTACLE R/A, SMT, 3.85MM HEIGHT 1.8 INCH SSD/HDD		
	$F_C=0$	4 PLACES ± ---	± ---	CHECKED BY JTAN02	DATE 2008/06/11	MOLEX INCORPORATED		
	$F_P=0$	3 PLACES ± ---	± ---	APPROVED BY BOKKOK	DATE 2010/03/31	MATERIAL NO.	DOCUMENT NO.	SHEET NO.
		2 PLACES ± 0.20	± ---	SEE TABLE		SD-78395-001	3 OF 4	
		1 PLACE ± ---	± ---	DRAFT WHERE APPLICABLE MUST REMAIN WITHIN DIMENSIONS		THIS DRAWING CONTAINS INFORMATION THAT IS PROPRIETARY TO MOLEX INCORPORATED AND SHOULD NOT BE USED WITHOUT WRITTEN PERMISSION		
		ANGULAR ± 3 °		SIZE A3				

5	4	3	2	1
PART NUMBER	HOLDDOWN	DIM A (PCB THICKNESS)		DIM B
78395-0001	FORKLOCK	1.00±0.10		(2.18)
78395-0002	FORKLOCK	1.20±0.12 TO 1.60±0.16 PCB FORKLOCK HOLE MUST BE PLATED THRU-HOLE (PTH) REGARDLESS WHETHER FORKLOCK IS SOLDERED OR NOT		(2.10)



78395-0001



78395-0002

<b>REVISED BASEPLATE</b> EC NO: S2010-0600 DRWN:GEMARLY 2010/01/14 CHKD:SCHEONG 2010/03/31 APPR:BOKOK 2010/04/01	DESCRIPTION REV	QUALITY SYMBOLS $F_A=0$ $F_C=0$ $F_P=0$	GENERAL TOLERANCES (UNLESS SPECIFIED) mm INCH 4 PLACES ± --- ± --- 3 PLACES ± --- ± --- 2 PLACES ± 0.20 ± --- 1 PLACE ± --- ± --- ANGULAR ± 3 °	DIMENSION STYLE <b>MM ONLY</b> DRAWN BY: YKOH CHECKED BY: JTAN02 APPROVED BY: BOKOK MATERIAL NO.	SCALE: NTS DESIGN UNITS: METRIC THIRD ANGLE PROJECTION DATE: 2008/05/20 DATE: 2008/06/11 DATE: 2010/03/31	TITLE: MICRO SAS RECEPTACLE R/A, SMT, 3.85MM HEIGHT 1.8 INCH SSD/HDD <b>MOLEX INCORPORATED</b> DOCUMENT NO. SD-78395-001	SHEET NO. 4 OF 4
	A7		DRAFT WHERE APPLICABLE MUST REMAIN WITHIN DIMENSIONS	SEE TABLE	THIS DRAWING CONTAINS INFORMATION THAT IS PROPRIETARY TO MOLEX INCORPORATED AND SHOULD NOT BE USED WITHOUT WRITTEN PERMISSION		
					SIZE: A3		