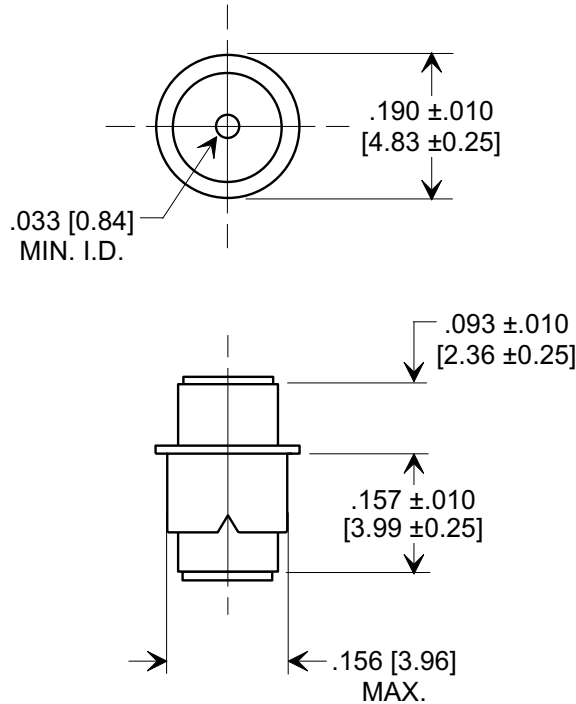
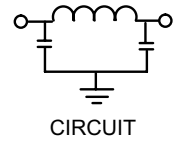
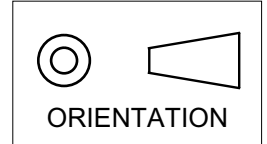


MARKETING SALES DRAWING
DIMENSIONS IN INCHES - DO NOT SCALE THIS DRAWING
DIMENSIONS IN METRIC - []

This drawing is the property of Tusonix, Inc., and may not be used, reproduced, published or disclosed to others without expressed authorization by Tusonix Inc.

Electrical Testing
per Tusonix standard
test plans and Mil-Std-202
Test Methods.



| MIN. CAP. (pF) | WORKING VOLTAGE (WVdc) 125°C | CURRENT Idc. | I.R. MIN. @ 100 (VDC.) | DWV (VDC) | MINIMUM NO LOAD INSERTION LOSS (dB) AT 25°C PER MIL-STD-220 | | | |
|----------------|------------------------------|--------------|------------------------|-----------|---|---------|-------|--------|
| | | | | | 10 MHz | 100 MHz | 1 GHz | 10 GHz |
| 1750 | 125 | 10 A | 10 G Ω | 313 | 5 | 35 | 50 | 50 |

| | | | | | |
|--|-----------------------------------|---|--|--|--|
| X-2015 Rev-0 REVISION RECORD Original Release C.O. 20070605-4-01 | 0 | --TOLERANCES-- Unless Otherwise Specified DECIMAL ± $\frac{\quad}{\quad}$ ANGLES ± $\frac{\quad}{\quad}$ | Title EYELET STYLE EMI FILTER MIL 15733/66-0001 | | |
| | Drawn S.M. 06-05-07 | | Scale 4 X | | |
| | Approved T.C. 06-05-07 | | A 4101-500 | | |
| | TUSONIX TUCSON, ARIZONA | | | | |