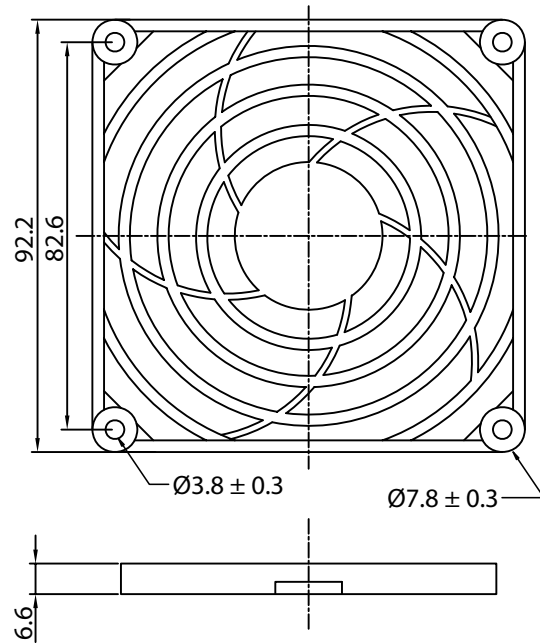


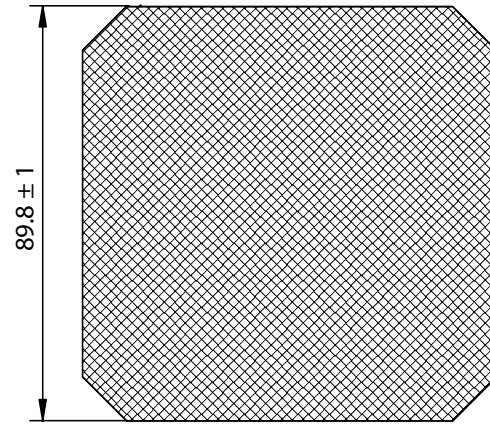
THESE DRAWINGS ARE THE PROPERTY OF QUALTEK ELECTRONICS AND NOT TO BE REPRODUCED FOR OR COMMUNICATED TO A THIRD PARTY WITHOUT THE EXPRESS WRITTEN PERMISSION OF AN OFFICER OF QUALTEK ELECTRONICS.

REVISION			
REV.	DESCRIPTION	DATE	APPROVED
B	RoHS Compliance	06-01-06	DP
C	Updated Graphics and Dimensions	05-21-10	LY

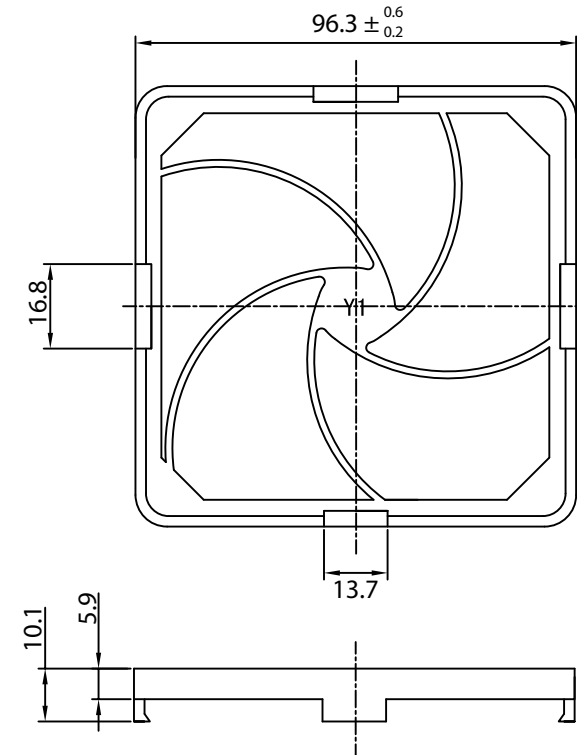
### FAN GUARD



### MEDIA



### RETAINER



#### NOTES:

MEDIA\* AVAILABLE IN:  
 XX=30 PPI \*\*  
 45 PPI \*\*  
 60 PPI \*\*  
 100 PPI \*\*  
 \* UL 900 CLASS II  
 \*\* Pores Per Inch  
 RoHS COMPLIANT

**CONTROLLED**

Dim range (mm)	Tolerance +/- (mm)	Qualtek Electronics Corp. FAN-S DIVISION		
0-5	0.1	Part Number: 09362-F/XX		<span style="border: 1px solid green; padding: 2px;">RoHS Compliant</span>
5-16	0.15	Description: PLASTIC FAN FILTER ASSEMBLY		
16-64	0.2	UNIT: mm		REV: C
64-250	0.4	Drawn / Date	Checked / Date	Approved / Date
250-1000	0.5	B. ZHANG 10-10-03	10-10-03	JJH / 10-10-03
1000-1500	1.0			