

ENG. NO.	ORDER NO.	PIN STYLE	HSG. MATERIAL	PIN PLATING
A-5219-09B	I5-31-I096	HOLLOW	94V-2 NYLON	TIN
A-5219-09C	I5-31-2096	SOLID	94V-2 NYLON	TIN
A-5219-09B-201	PRELIMINARY		94V-0 NYLON	TIN
A-5219-09BG	PRELIMINARY		94V-2 NYLON	GOLD
A-5219-09BG-201	PRELIMINARY		94V-0 NYLON	GOLD

HOUSING MATERIAL:

- 1 - NYLON TYPE 66, 94V-2, NATURAL
- 2 - NYLON TYPE 66, 94V-0, NATURAL

PIN MATERIAL: BRASS

PIN PLATING:

- 1 - POST PLATE .000120/(0.00305) MIN. TIN OVER .000040/(0.0010) MIN. NICKEL
- 2 - POST PLATE .000014/(0.00035) MIN. GOLD OVER .000080/(0.00200) MIN. NICKEL

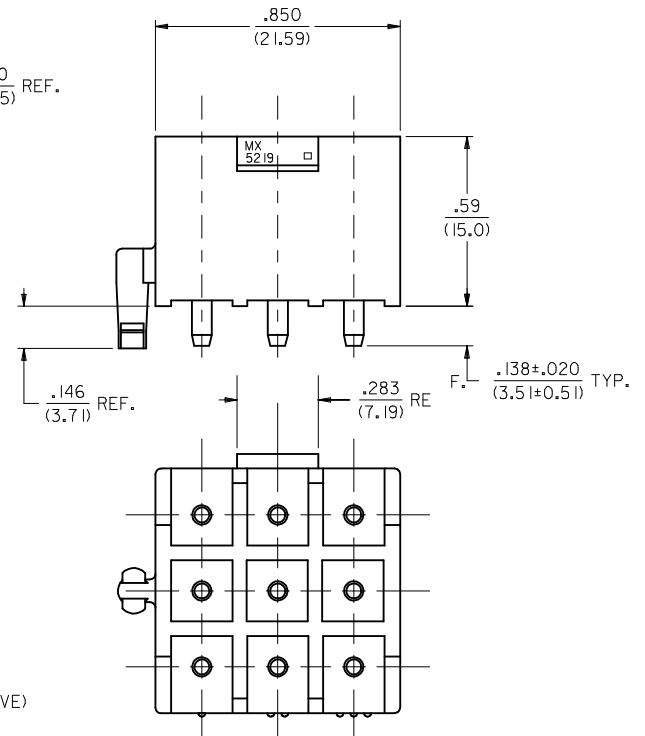
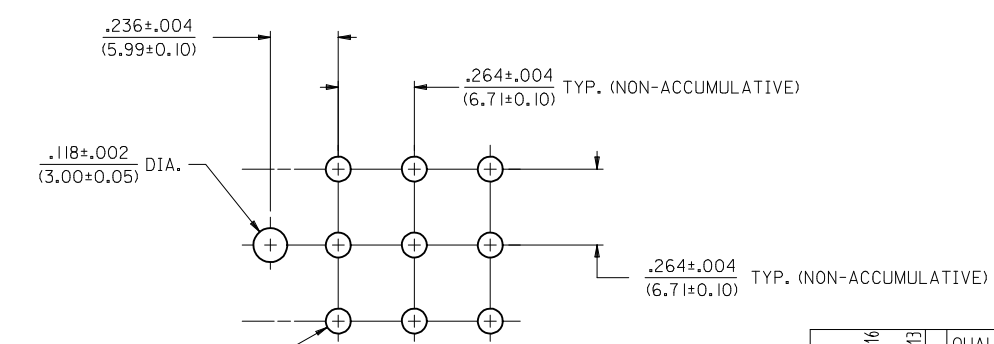
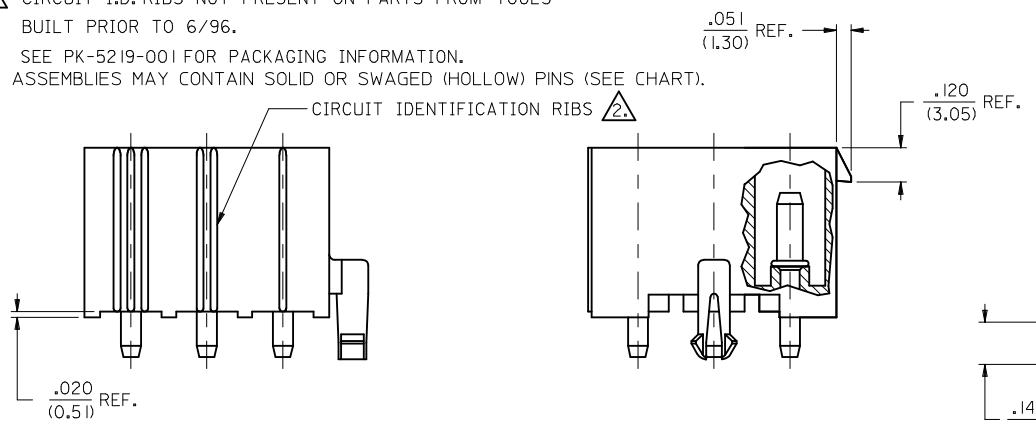
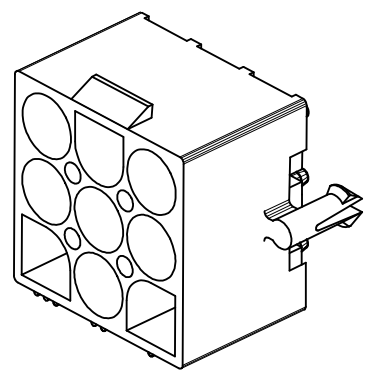
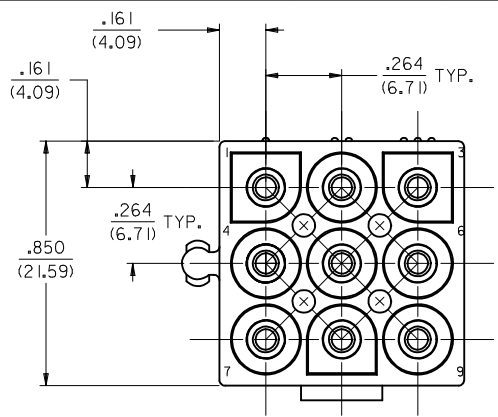
NOTES:

- THESE HEADERS ARE FOR USE ON .062/(1.57) THICK P.C. BOARDS AND MATE WITH 3191-9 SERIES RECEPTACLES.

2. CIRCUIT I.D. RIBS NOT PRESENT ON PARTS FROM TOOLS BUILT PRIOR TO 6/96.

- SEE PK-5219-001 FOR PACKAGING INFORMATION.

- ASSEMBLIES MAY CONTAIN SOLID OR SWAGED (HOLLOW) PINS (SEE CHART).



RECOMMENDED P.C. BOARD LAYOUT

ADD P/N 15-31-2096 EC NO: UCP2013-0315 DRW:NAELHAG 2012/07/16 CHKD: APPR:FSMLTH 2012/08/13 REV:	QUALITY SYMBOLS	GENERAL TOLERANCES (UNLESS SPECIFIED)	DIMENSION STYLE	SCALE	DESIGN UNITS	THIRD ANGLE PROJECTION															
	$\nabla = 0$ $\nabla = 0$ $\nabla = 0$	<table border="1"> <thead> <tr> <th></th> <th>mm</th> <th>INCH</th> </tr> </thead> <tbody> <tr> <td>4 PLACES</td> <td>± .010</td> <td>± .0004</td> </tr> <tr> <td>3 PLACES</td> <td>± .010</td> <td>± .0004</td> </tr> <tr> <td>2 PLACES</td> <td>± 0.25</td> <td>± .010</td> </tr> <tr> <td>1 PLACE</td> <td>± 0.35</td> <td>± .014</td> </tr> </tbody> </table>		mm	INCH	4 PLACES	± .010	± .0004	3 PLACES	± .010	± .0004	2 PLACES	± 0.25	± .010	1 PLACE	± 0.35	± .014	IN/MM	3:1	INCH	
		mm	INCH																		
4 PLACES	± .010	± .0004																			
3 PLACES	± .010	± .0004																			
2 PLACES	± 0.25	± .010																			
1 PLACE	± 0.35	± .014																			
DRAWN BY: CM DATE: 1996/05/23 CHECKED BY: RW DATE: 1996/05/23 APPROVED BY:	MATERIAL NO. SEE CHART DRAFT WHERE APPLICABLE MUST REMAIN WITHIN DIMENSIONS	DOCUMENT NO. SDA-5219-09**	SHEET NO. 1 OF 1																		