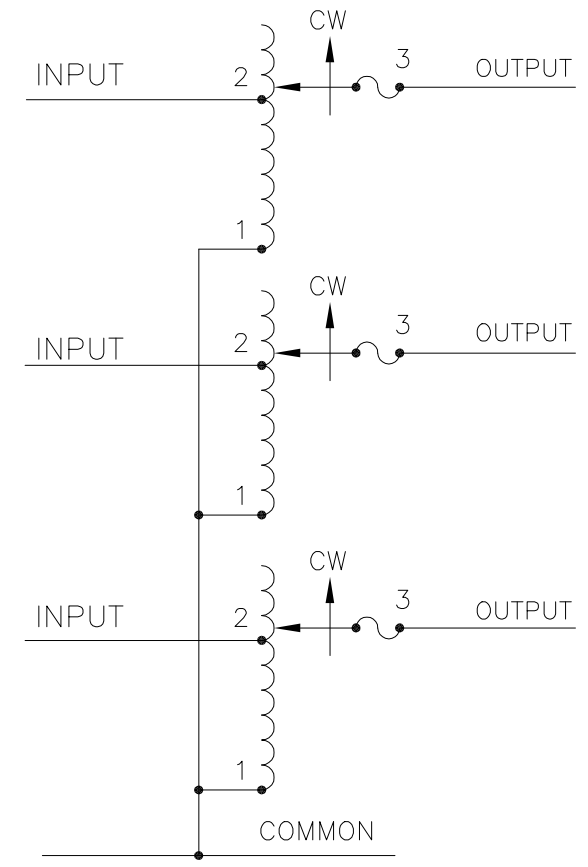
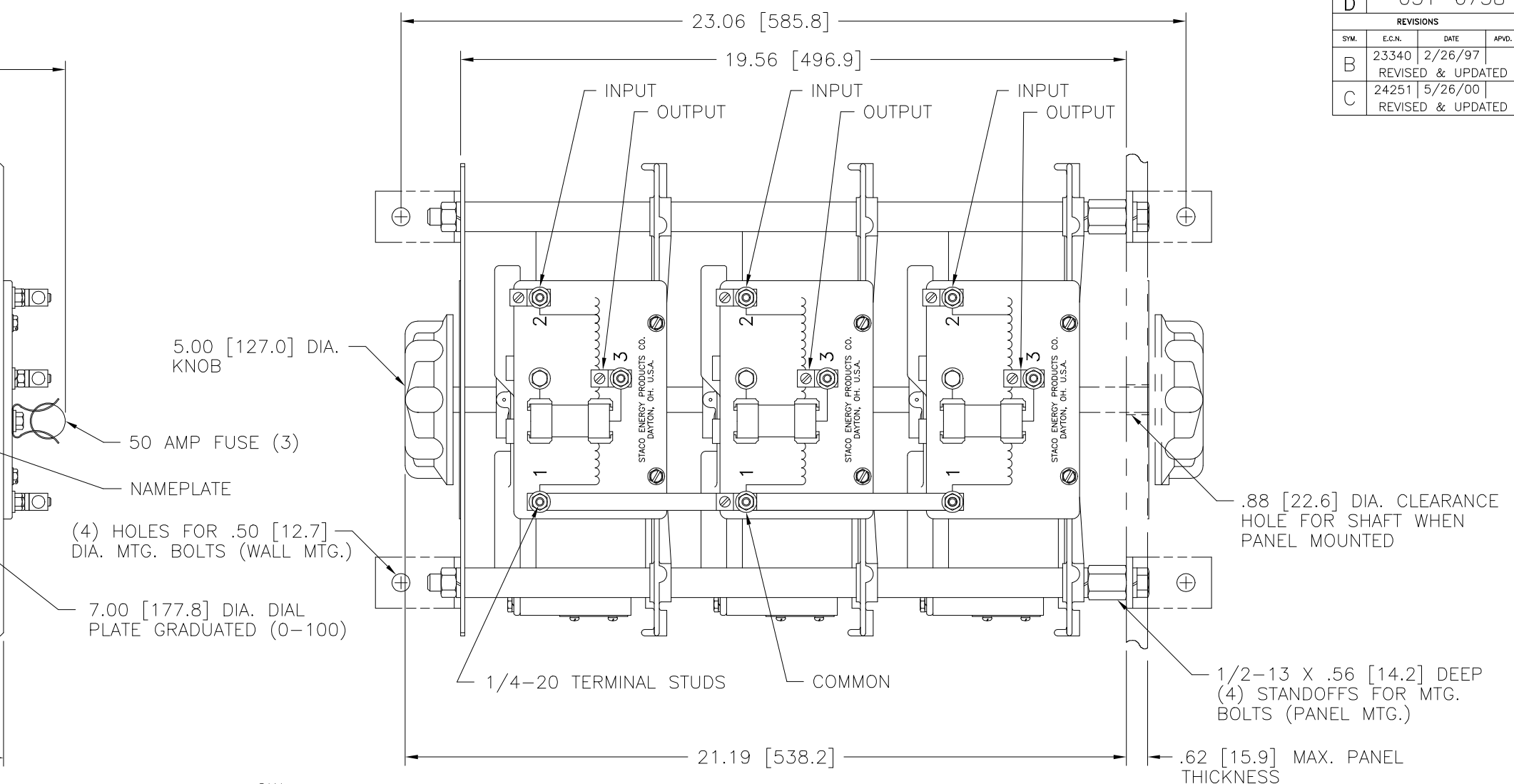
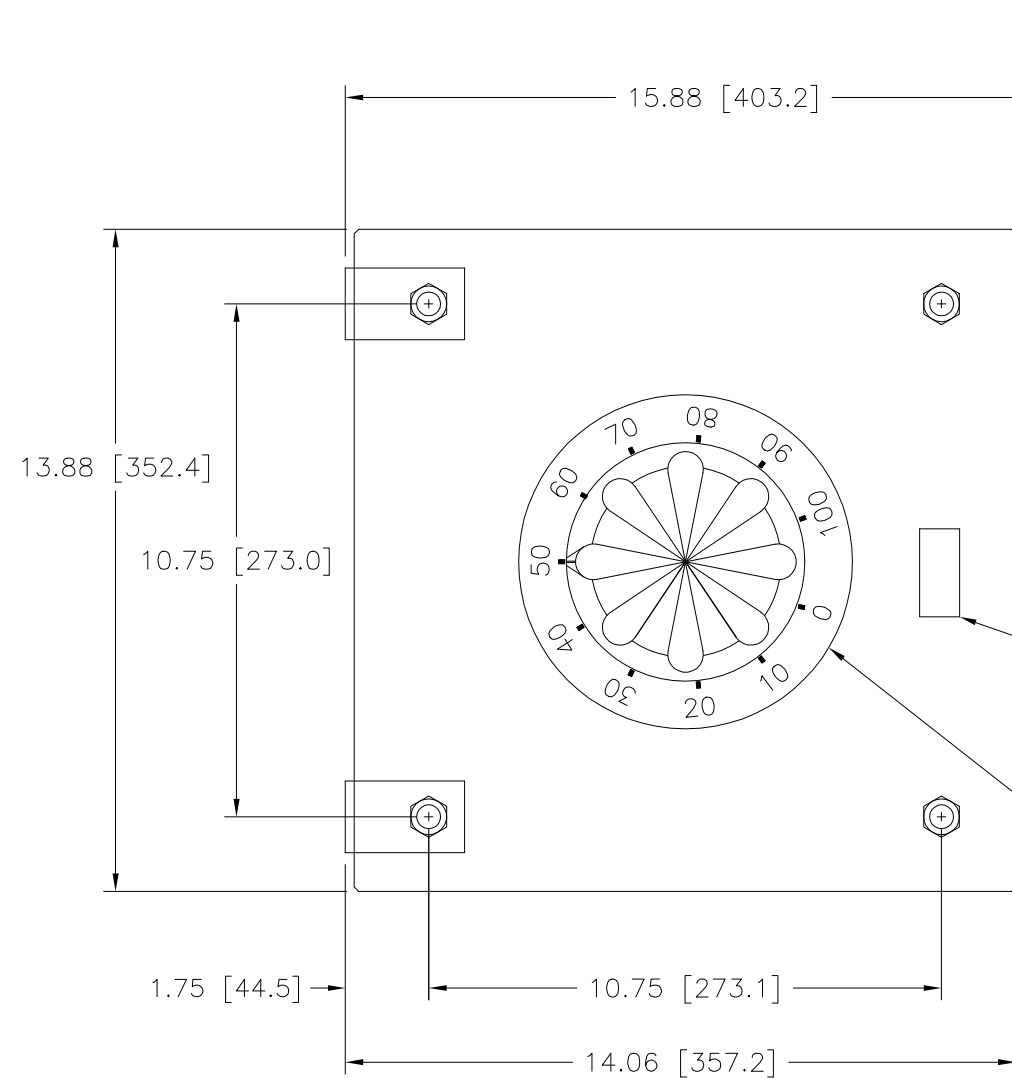


DWG. NO.	031-6738		
REVISIONS			
SYM.	E.C.N.	DATE	APVD.
B	23340	2/26/97	
REVISED & UPDATED			
C	24251	5/26/00	
REVISED & UPDATED			



SPECIFICATIONS									
WIRING	INPUT		OUTPUT			SHAFT ROTATION TO INCREASE VOLTAGE	TERMINAL CONNECTIONS		
	VOLTS	HERTZ	VOLTS	MAX. AMPS	MAX. KVA		FOR INCREASING VOLTAGE AS VIEWED FROM ROTOR END		
THREE PHASE WYE	240	60	0-280	50	24.2	CW	INPUT	JUMPER	OUTPUT
							2-2-2	---	3-3-3

UNLESS OTHERWISE SPECIFIED, TOLERANCE IS #	UNITS	TITLE:
DECIMALS .06	IN [mm]	SPEC. CONTROL DRAWING
Holes .002		VARIABLE TRANSFORMER
ANGLES 1°		TYPE: 5011-3Y
DRAFT 1-1/2°		
MATERIAL:	ALL DIMENSIONS APPLY AFTER PLATING	
DRAWN BY: TIM RAU DATE: 2/25/97 CHECKER: _____ ENGINEER: _____		
FIRST USED ON: _____ DO NOT SCALE DWG. WEIGHT APPROX.: _____ CODE IDENT. NO. 83008 SCALE: .50=1 SHEET 1 OF 1		
CUSTOMER APPROVAL: _____ DATE: _____ DWG. NO. 031-6738		



The information and design disclosed herein was originated by and is the property of STACO ENERGY PRODUCTS CO., which reserves all patent, proprietary, design, manufacturing, reproduction, use and sale rights thereto, and to any article disclosed therein except to the extent rights are expressly granted to others. The foregoing does not apply to vendor proprietary parts.